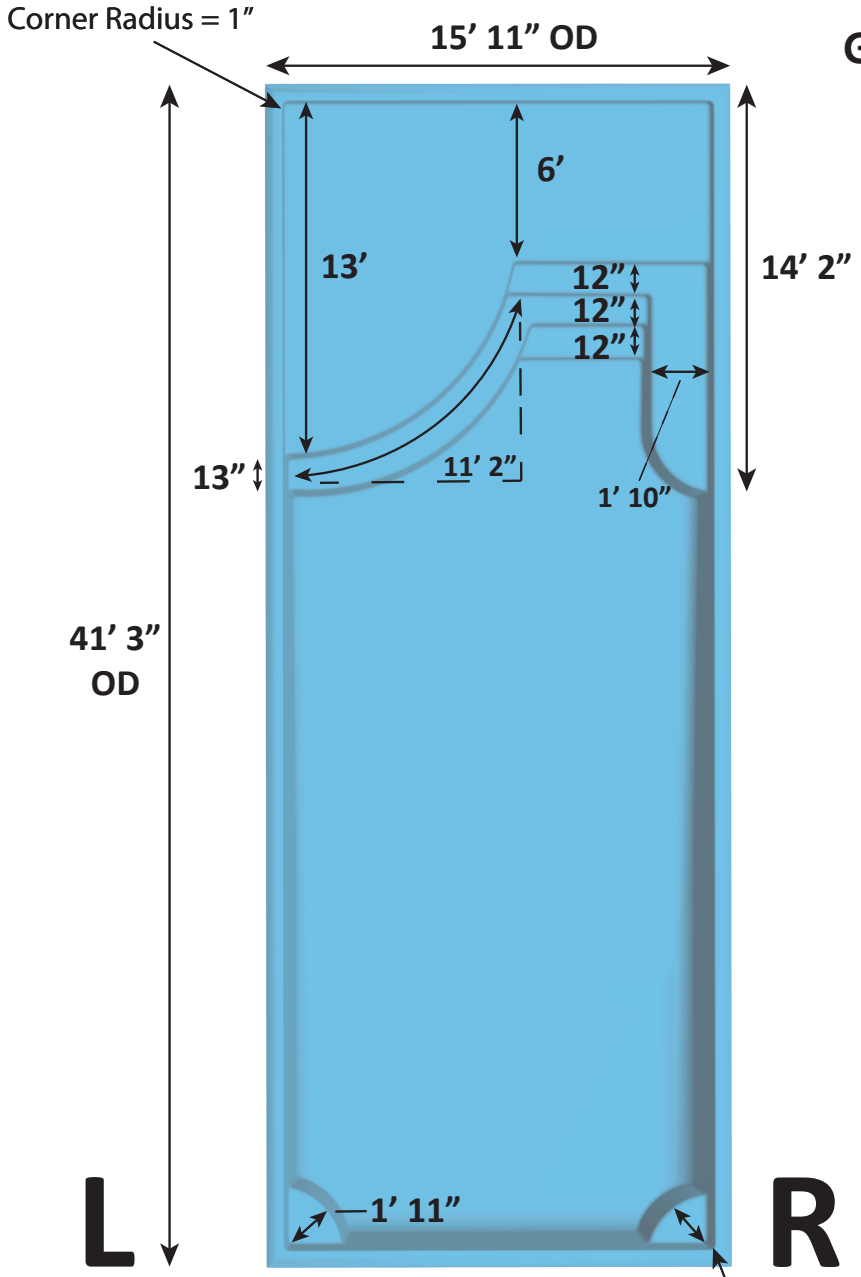
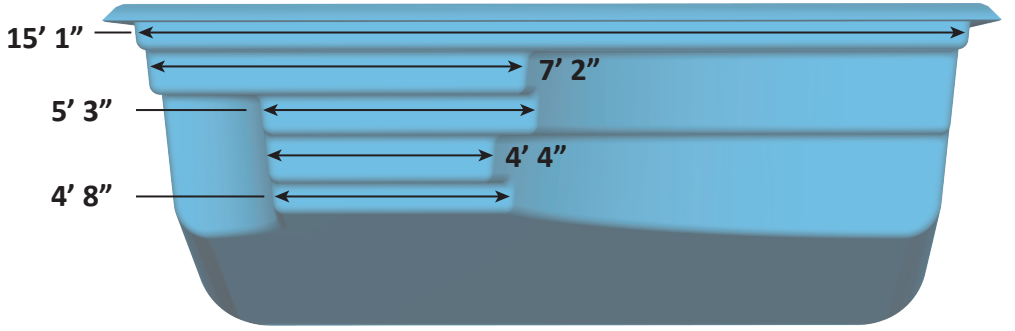


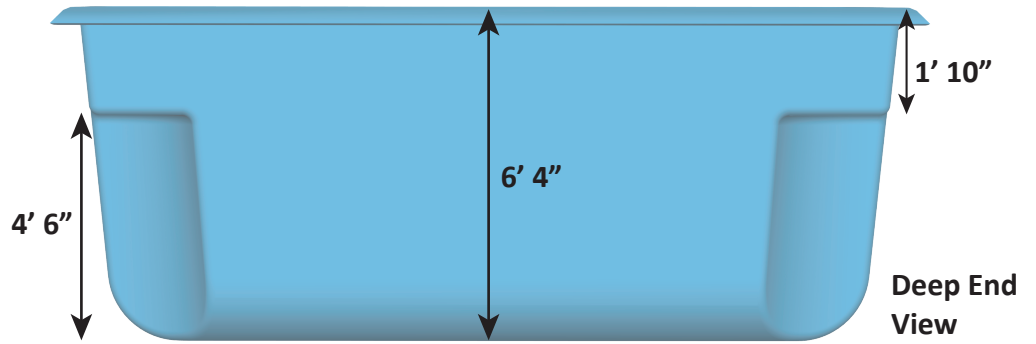
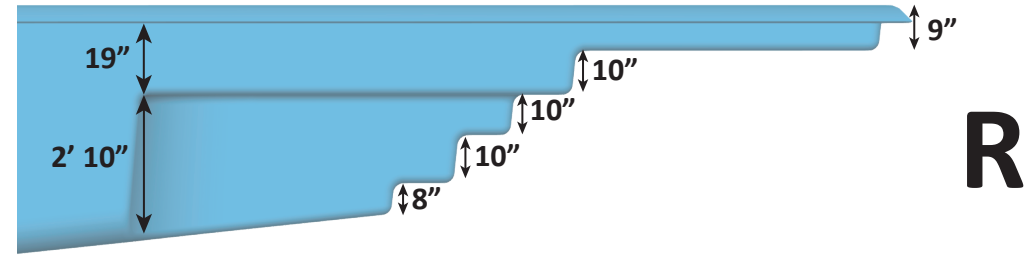
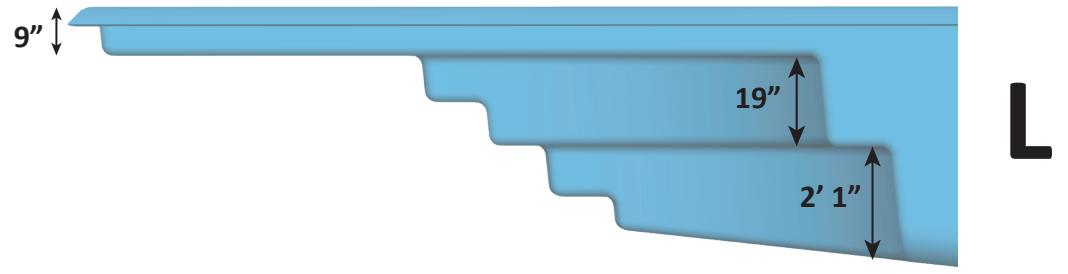
GREAT LAKES BEACH DETAIL SHEET - 10-28-21 - REVISION 02



Over Head View



Shallow End View



Deep End View

USA Specifications

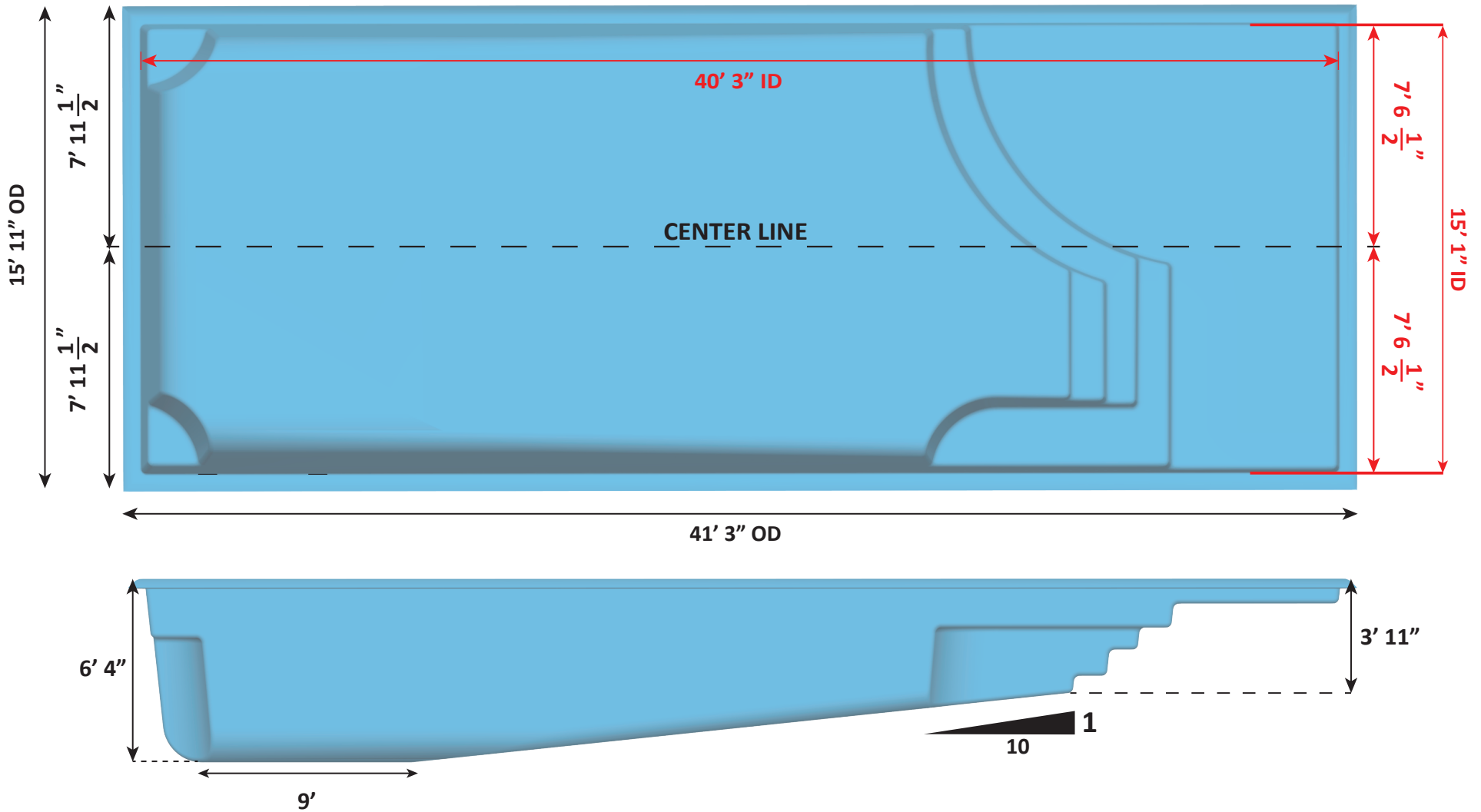


Surface Area: 607.6 Sq. ft.
 Perimeter: 110.7 Lin. ft.
 Volume: 18,761 Gal.
 Per sect. 8.1, surfaces that provide footing have slip resistant surfaces.
 All measurements are averages.

Corner Radius = 6"



GREAT LAKES BEACH DETAIL SHEET - 10-28-21 - REVISION 02



USA Specifications



Surface Area: 607.6 Sq. ft.
 Perimeter: 110.7 Lin. ft.
 Volume: 18,761 Gal.
 Per sect. 8.1, surfaces that provide footing have slip resistant surfaces.
 All measurements are averages.

