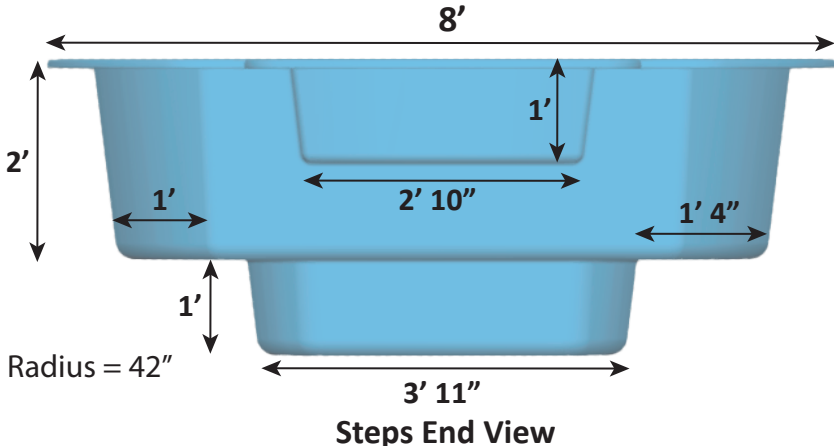
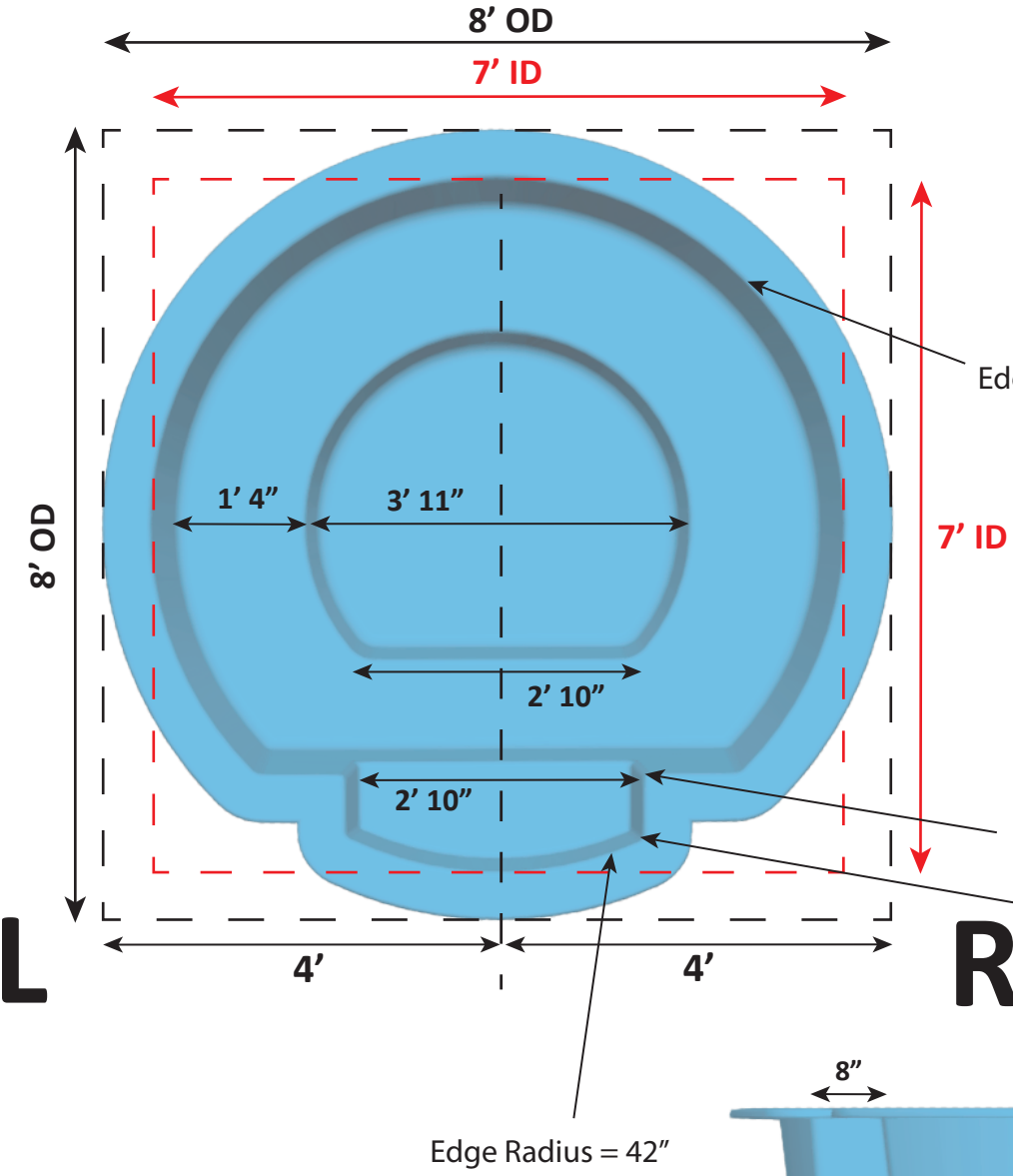
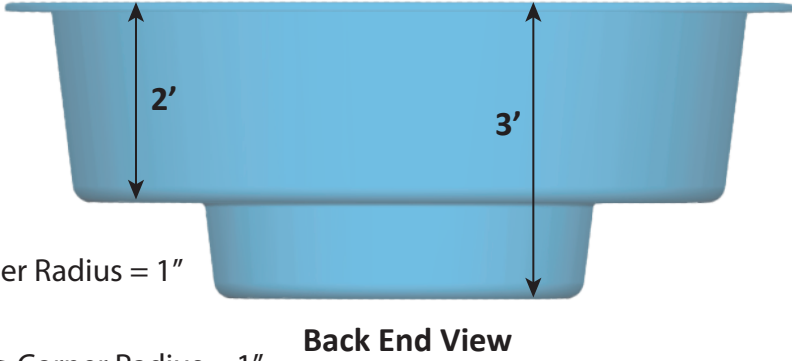


ISLE SPA DETAIL SHEET - 12-04-24 - REVISION 01

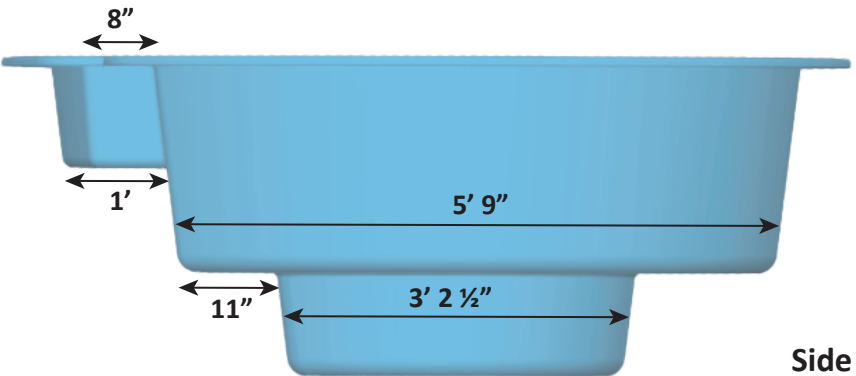
Over Head View



F



B



R

Side View

Surface Area: 40.4 Sq. ft.
 Perimeter: 23.5 Lin. ft.
 Volume: 600 Gal.
 Per sect. 8.1, surfaces that provide footing have slip resistant surfaces.
 All measurements are averages.



USA Specifications

