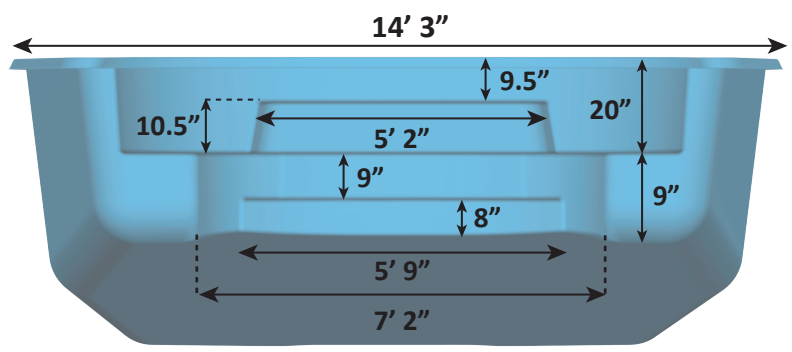
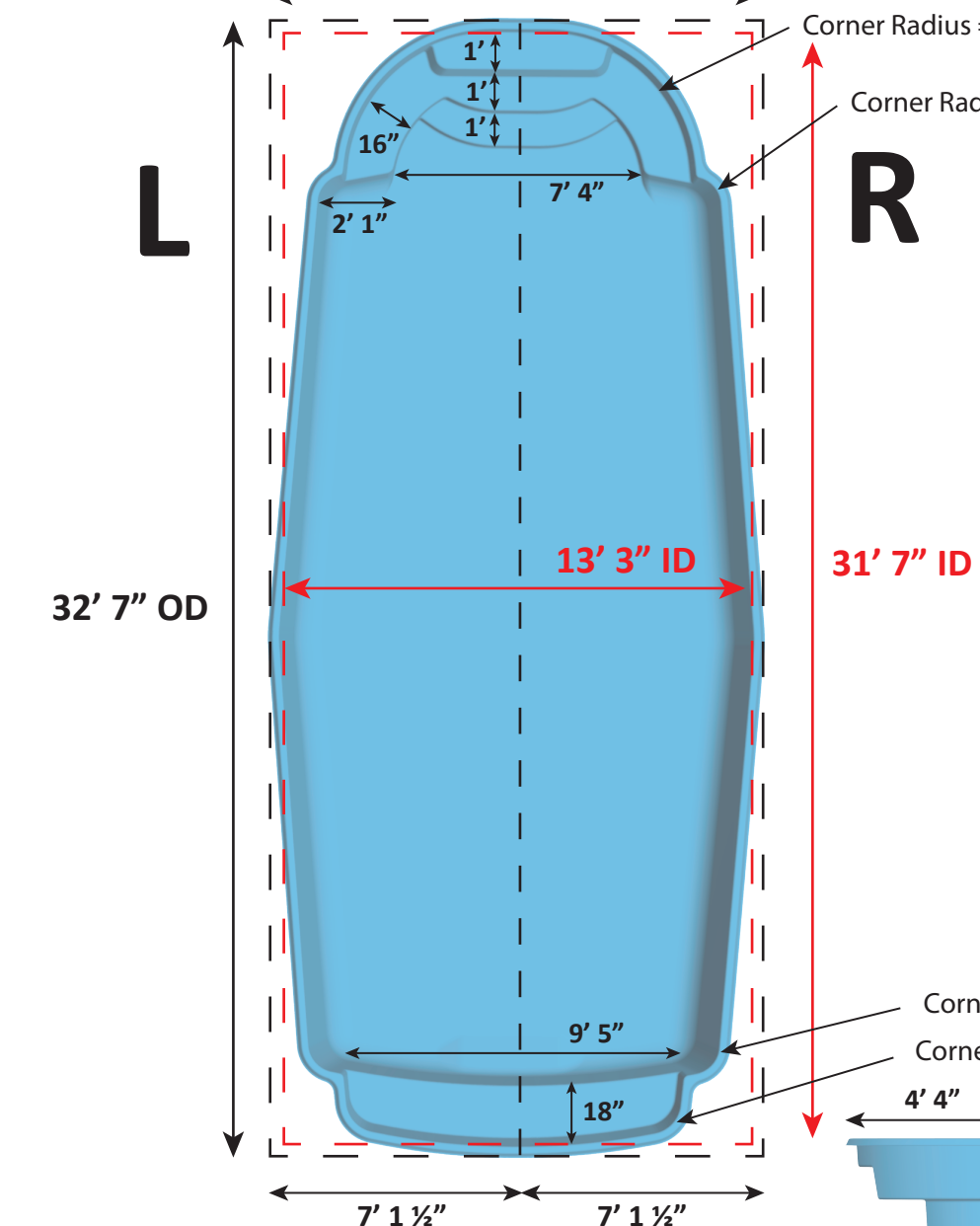
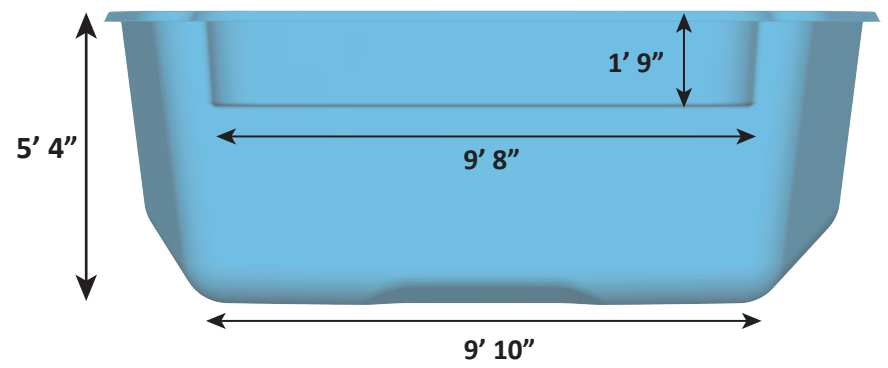


SAVANNAH DETAIL SHEET - 01-16-25 - REVISION 01

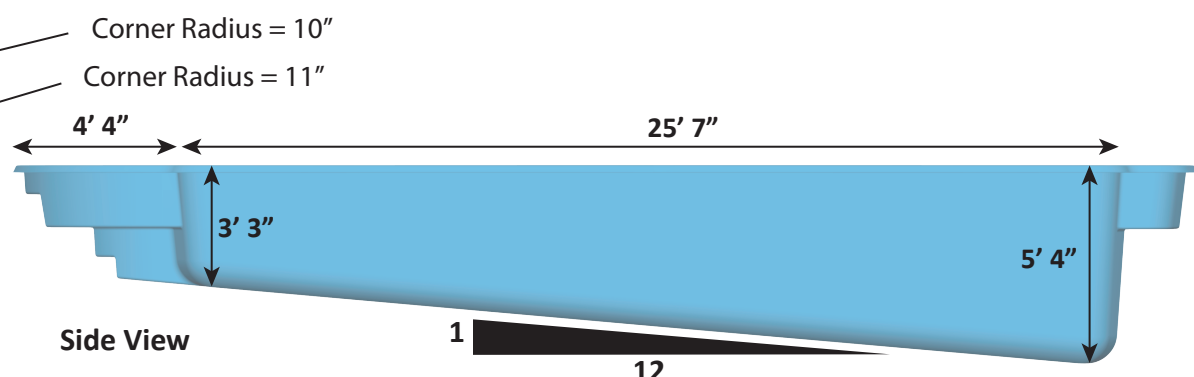
Over Head View



Step End View



Back End View



Side View

USA Specifications



Surface Area: 375 Sq. ft.
 Perimeter: 80.4 Lin. ft.
 Volume: 10,500 Gal.
 Per sect. 8.1, surfaces that provide footing have slip resistant surfaces.
 All measurements are averages.



L