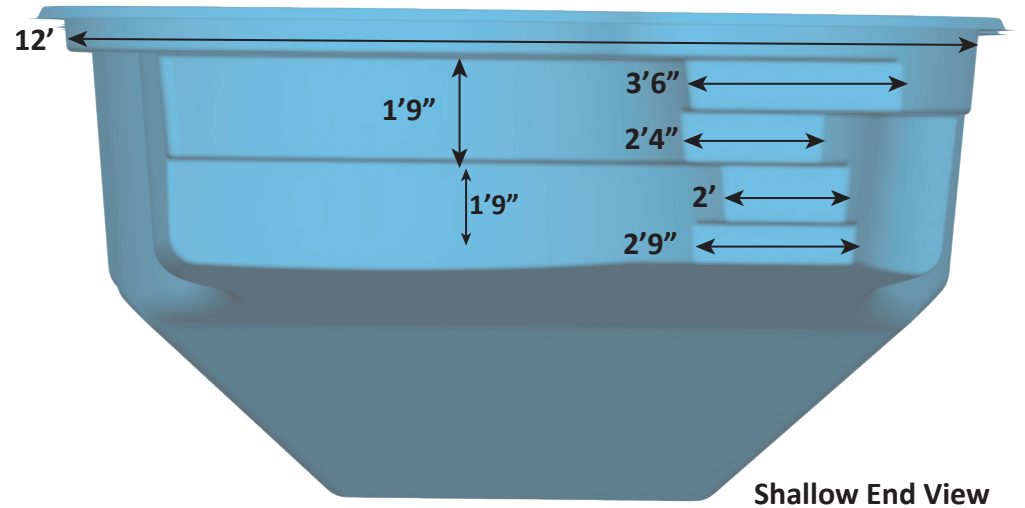
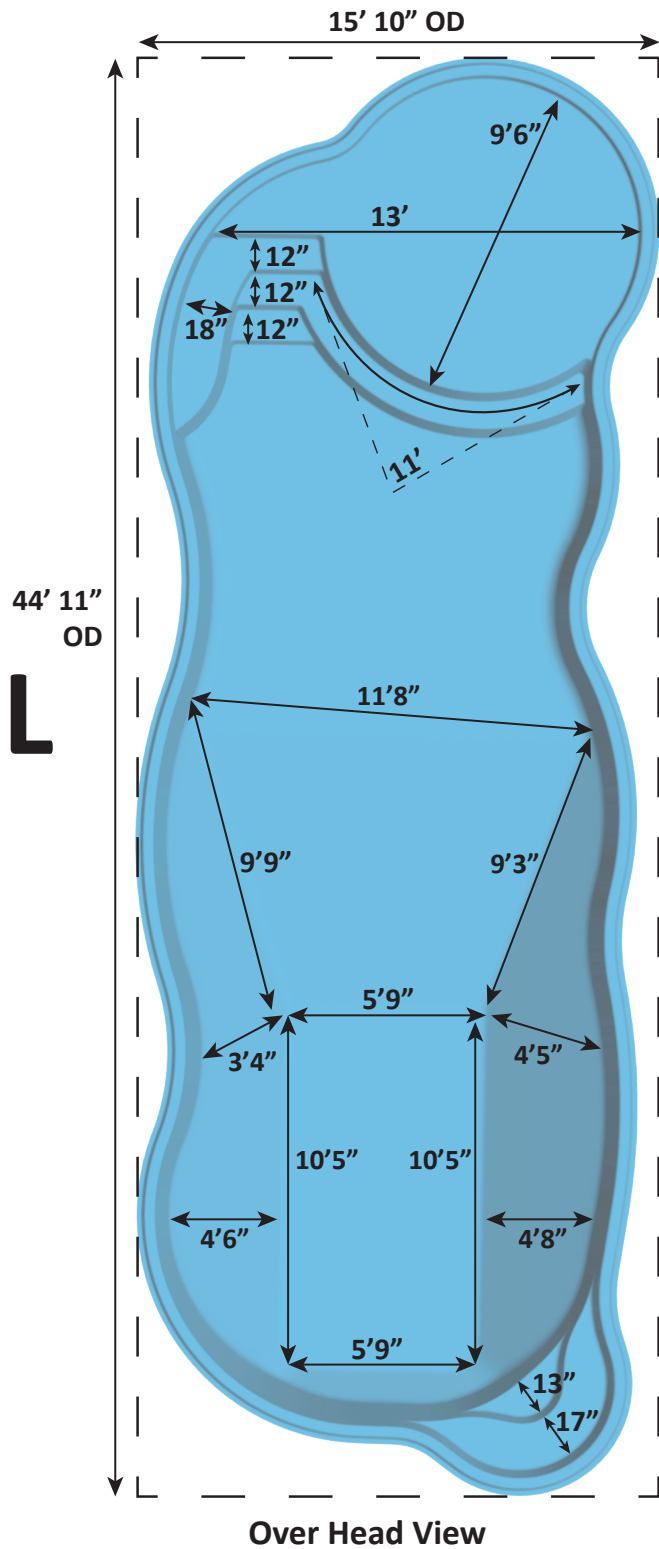
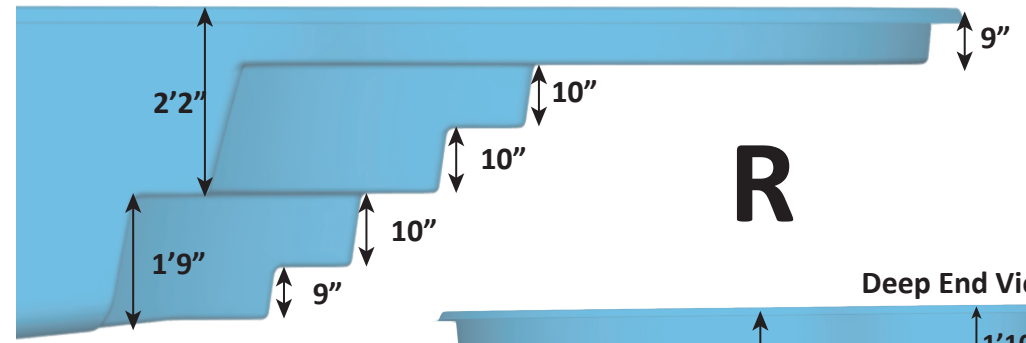


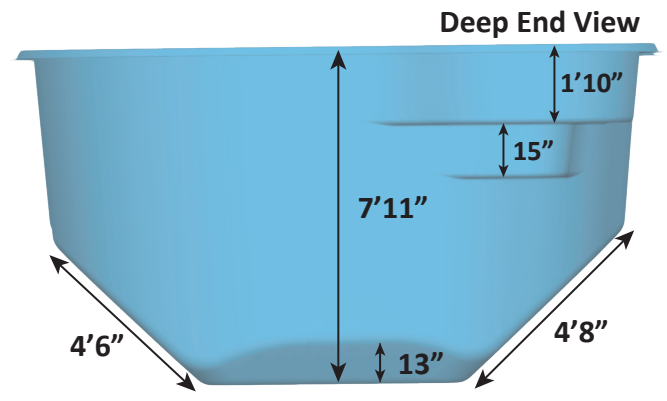
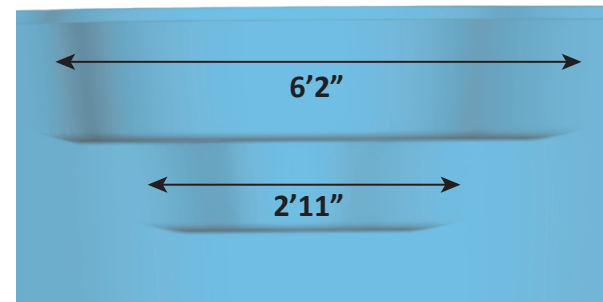
DAYTONA BEACH DETAIL SHEET - 10-28-21 - REVISION 02



R



R

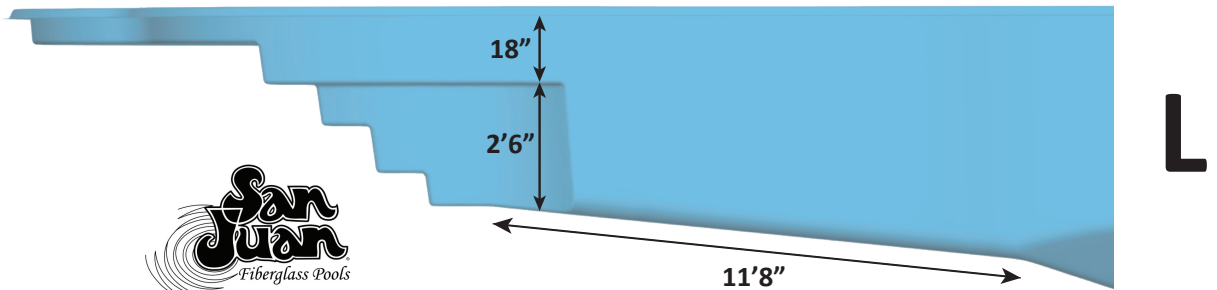
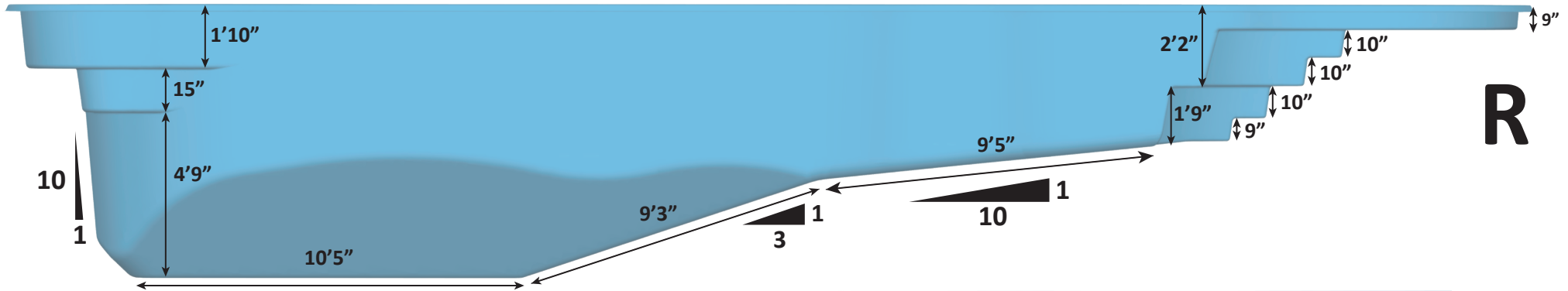
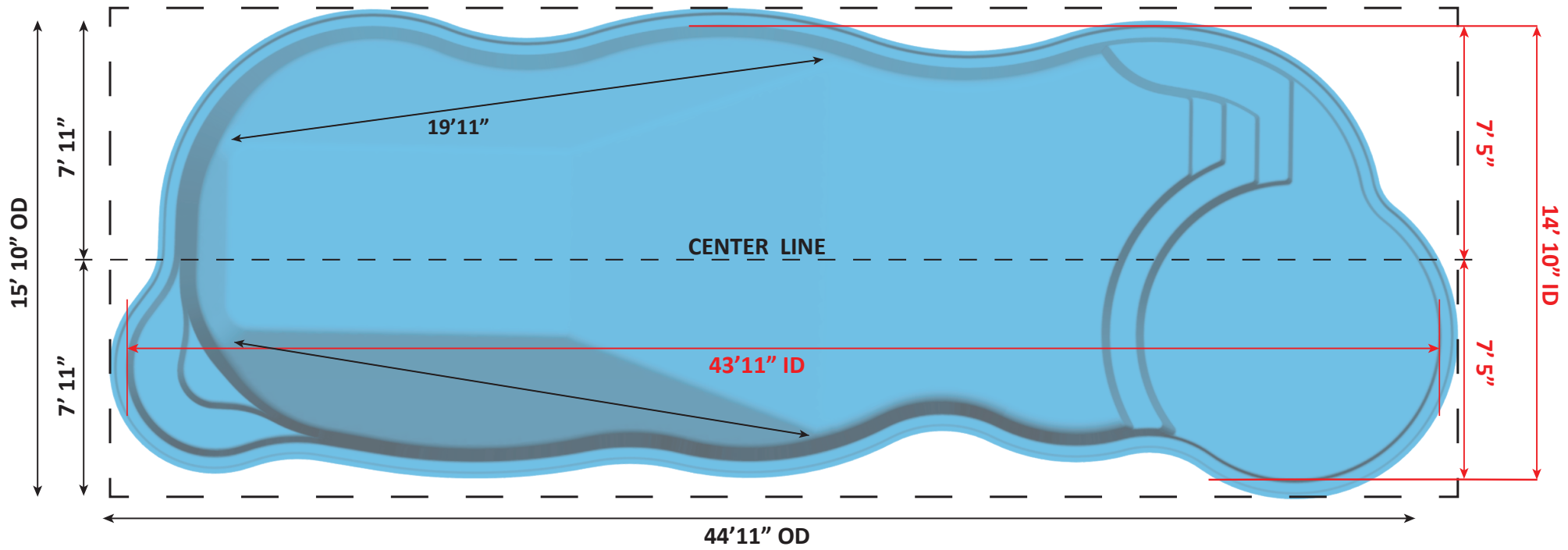


USA Specifications

Surface Area: 558.53 Sq. ft.
 Perimeter: 107 Lin. ft.
 Volume: 19,440 Gal.
 Per sect. 8.1, surfaces that provide
 footing have slip resistant surfaces.
 All measurements are averages.



DAYTONA BEACH DETAIL SHEET - 10-28-21 - REVISION 02



USA Specifications



Surface Area: 558.53 Sq. ft.
 Perimeter: 107 Lin. ft.
 Volume: 19,440 Gal.
 Per sect. 8.1, surfaces that provide footing have slip resistant surfaces.
 All measurements are averages.

