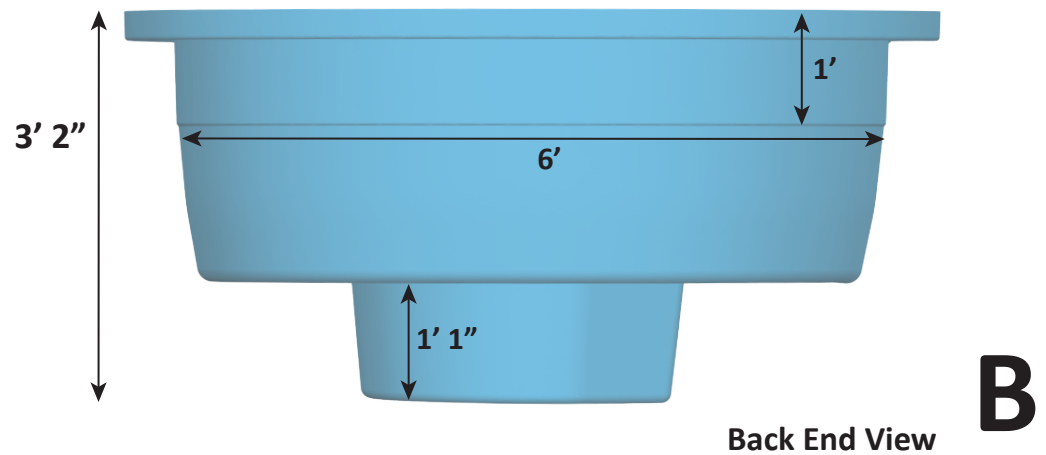
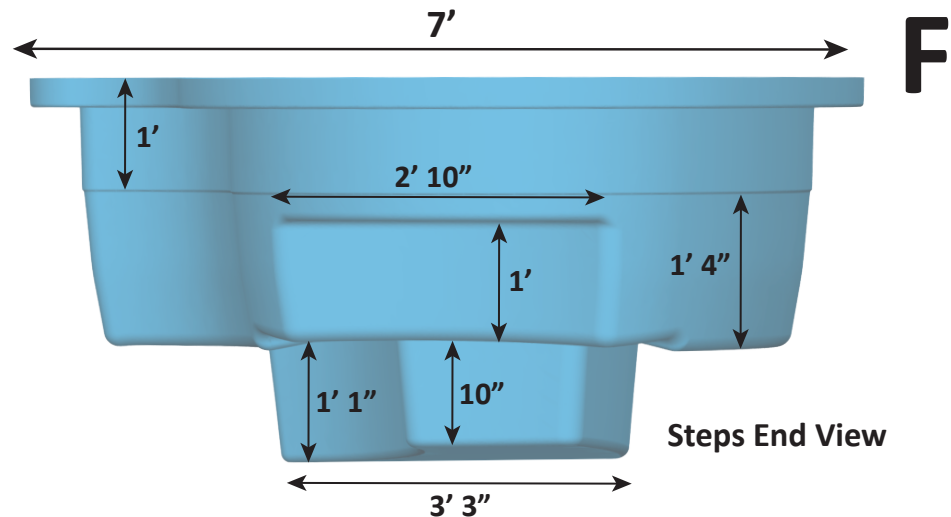
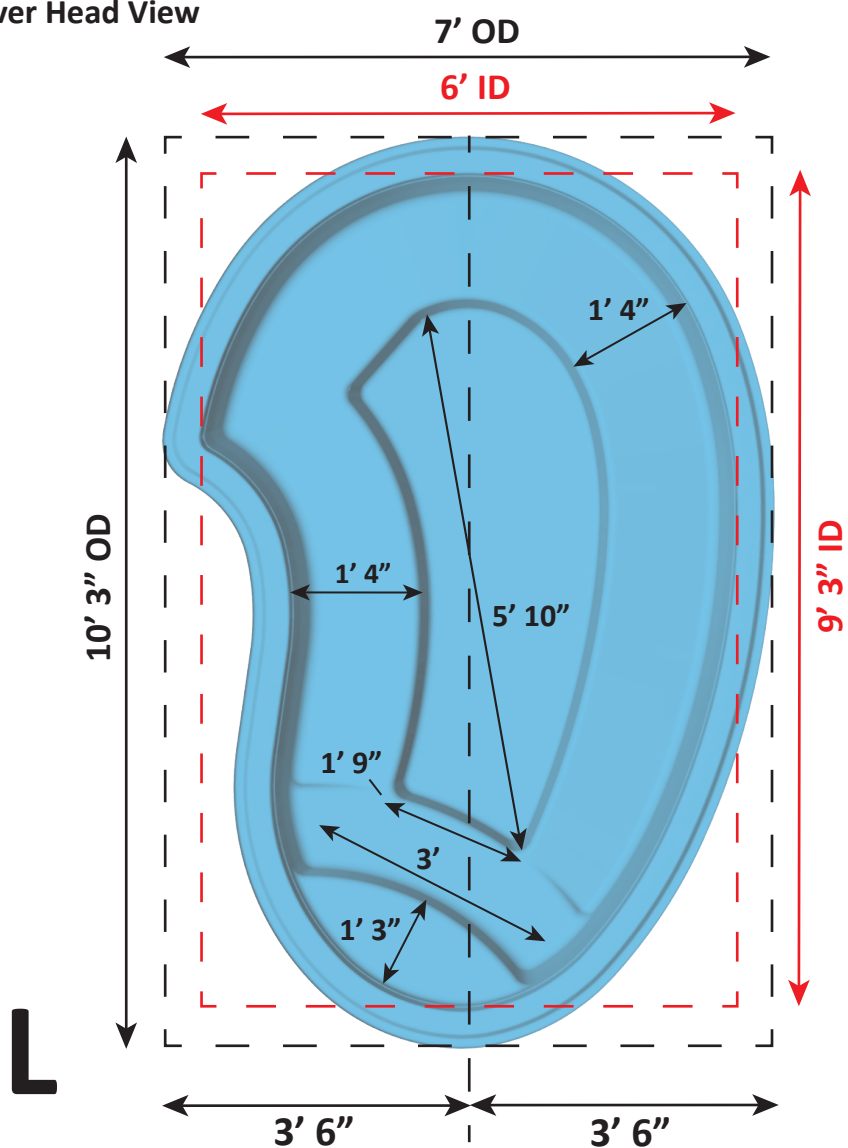


Over Head View



Surface Area: 43.3 Sq. ft.
 Perimeter: 25.3 Lin. ft.
 Volume: 714 Gal.
 Per sect. 8.1, surfaces that provide
 footing have slip resistant surfaces.
 All measurements are averages.



USA Specifications

