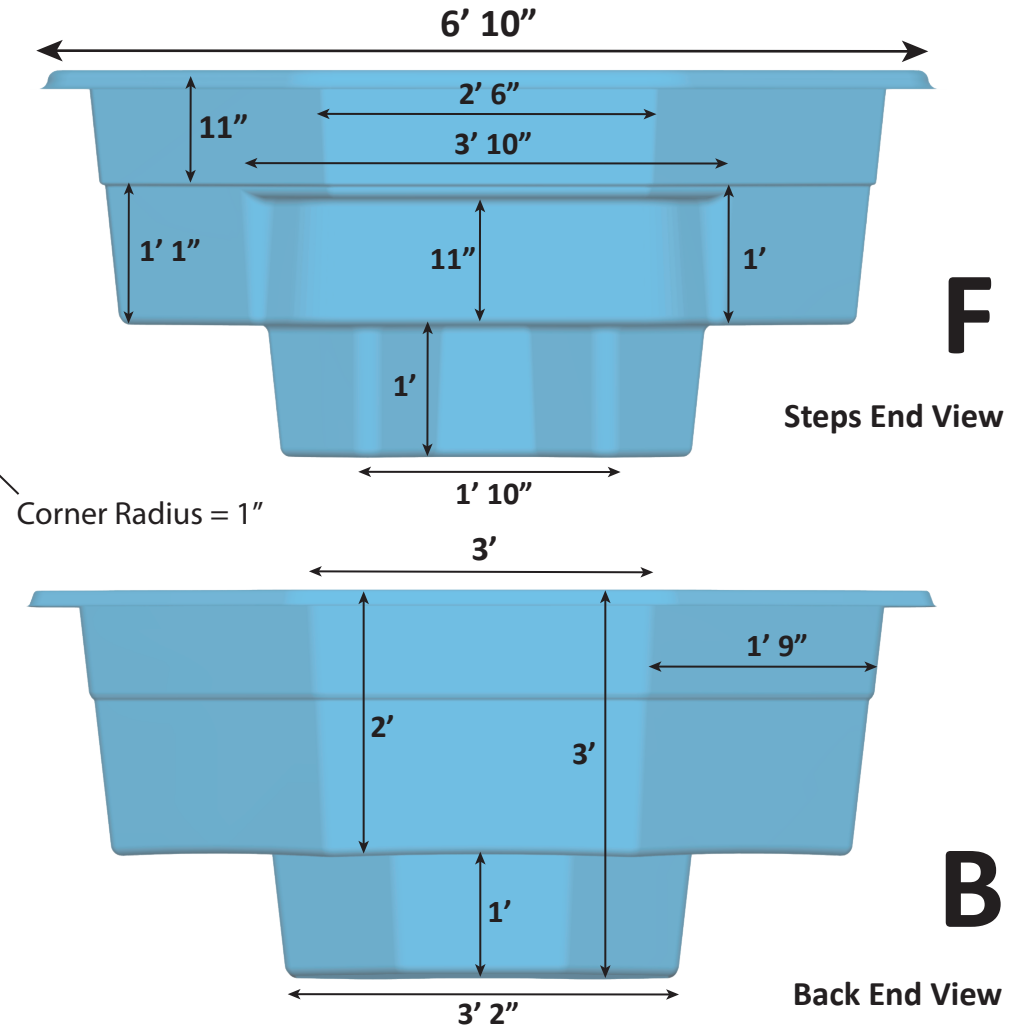
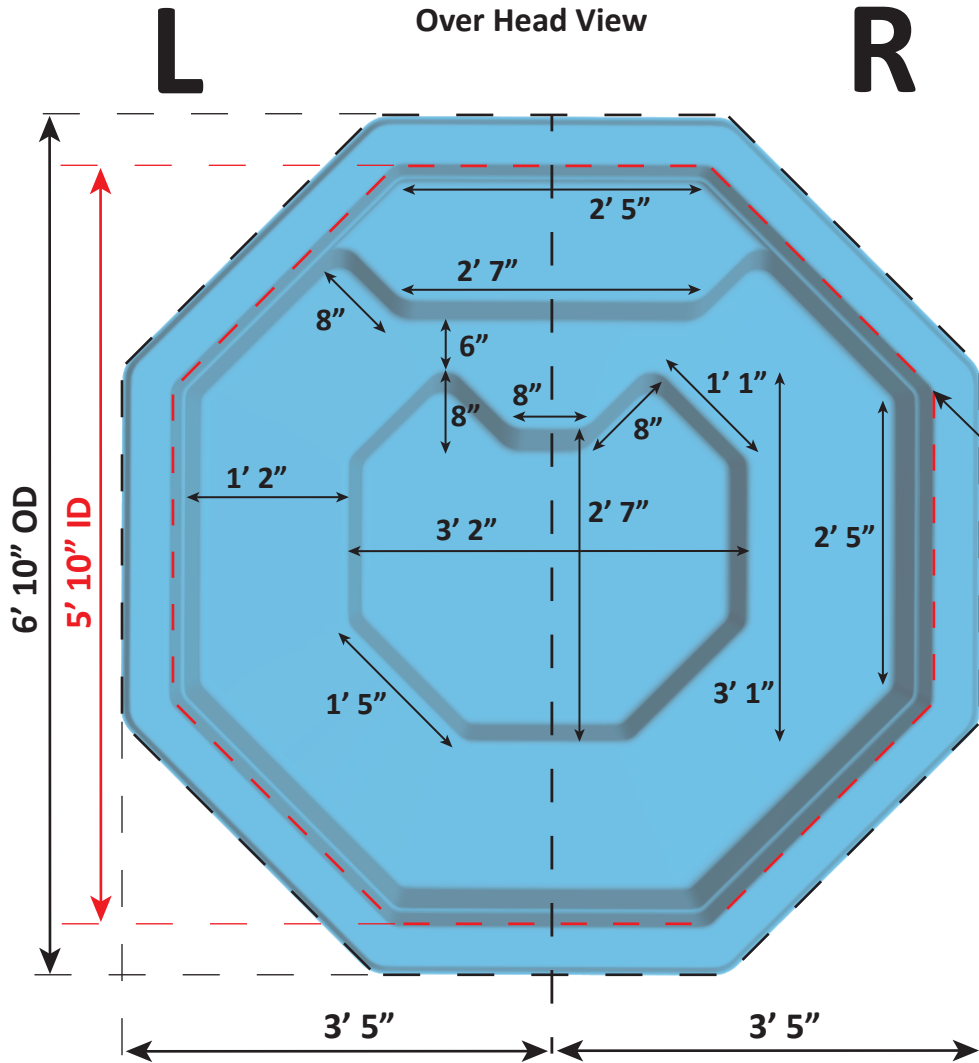


# HAVEN SPA DETAIL SHEET - 12-03-24 - REVISION 01



Surface Area: 33.5 Sq. ft.  
 Perimeter: 21 Lin. ft.  
 Volume: 493 Gal.  
 Per sect. 8.1, surfaces that provide  
 footing have slip resistant surfaces.  
 All measurements are averages.



USA Specifications

