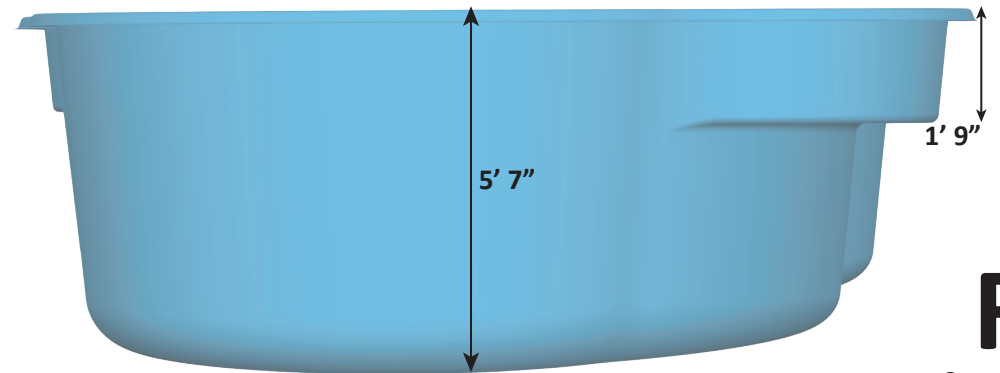
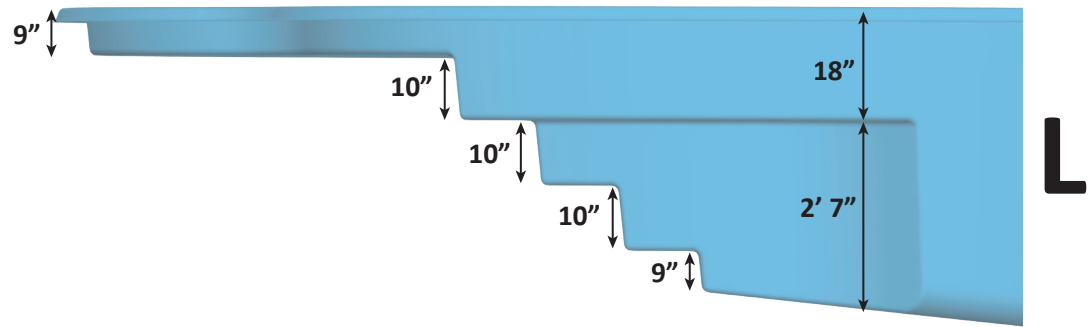
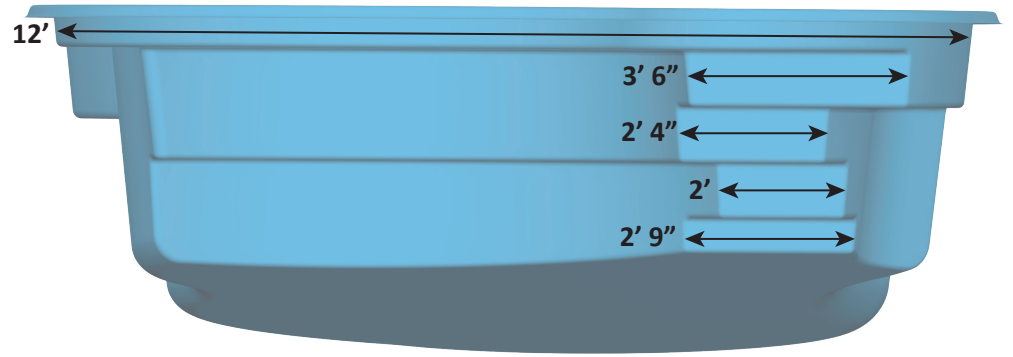
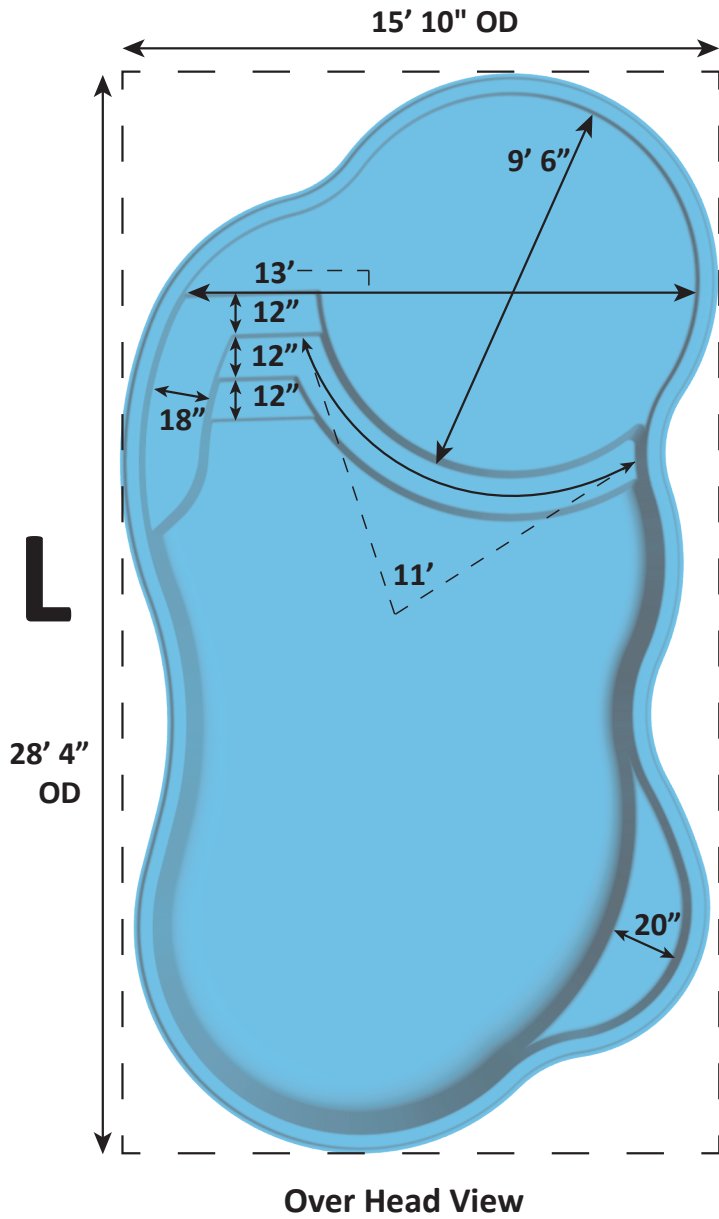


# HUNTINGTON BEACH DETAIL SHEET - 10-28-21 - REVISION 02



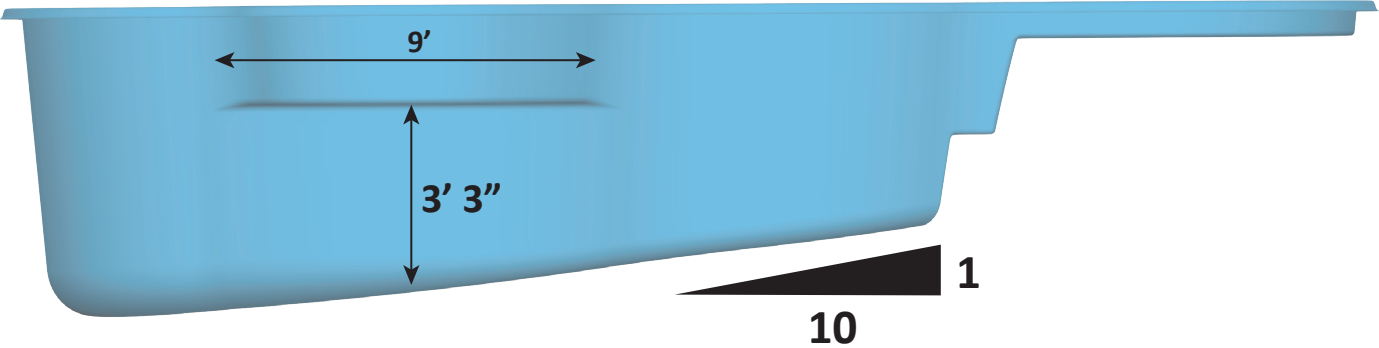
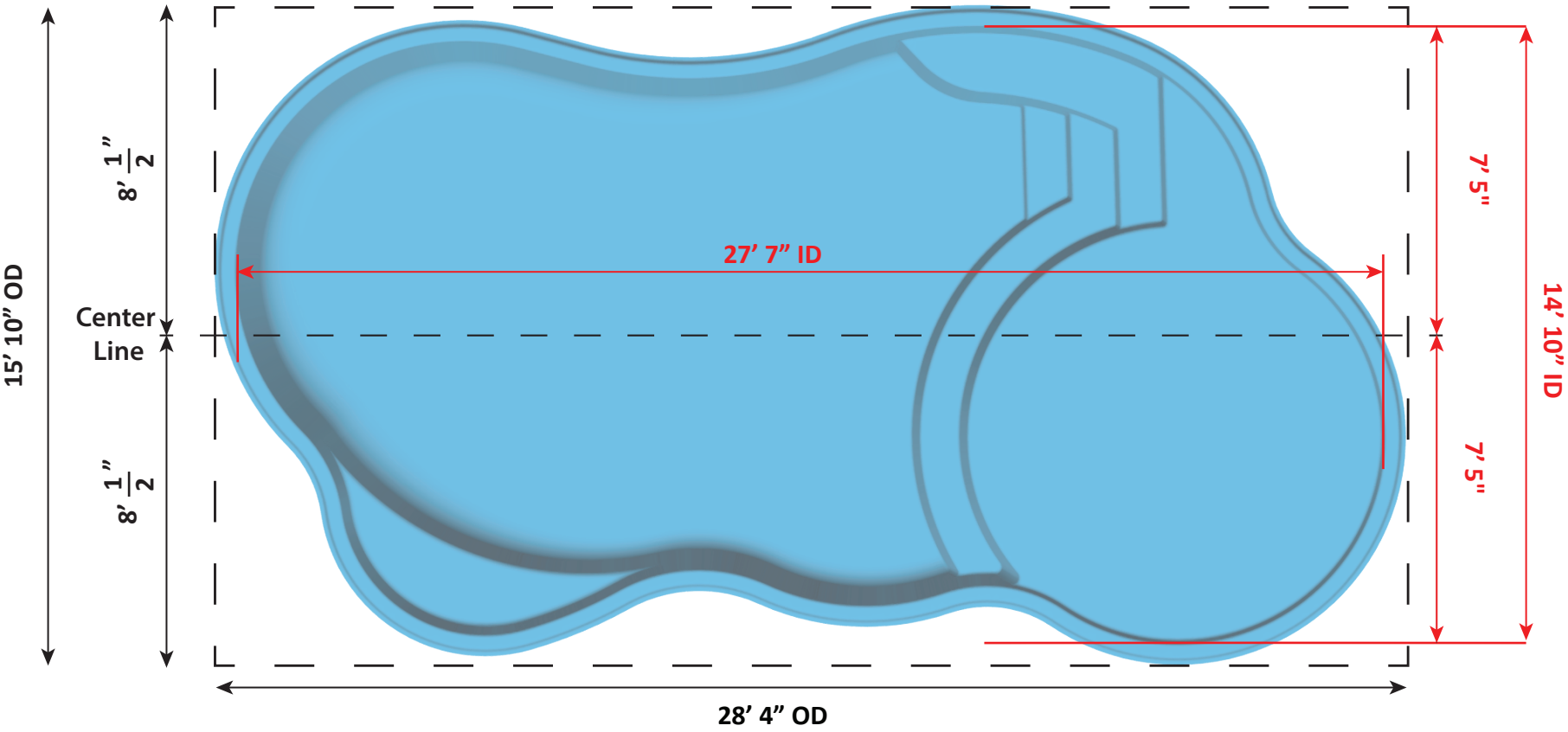
Surface Area: 326 Sq. ft.  
 Perimeter: 73 Lin. ft.  
 Volume: 8,154 Gal.  
 Per sect. 8.1, surfaces that provide footing have slip resistant surfaces.  
 All measurments are averages.



USA Specifications



# HUNTINGTON BEACH DETAIL SHEET - 10-28-21 - REVISION 02



Surface Area: 326 Sq. ft.  
 Perimeter: 73 Lin. ft.  
 Volume: 8,154 Gal.  
 Per sect. 8.1, surfaces that provide footing have slip resistant surfaces.  
 All measurments are averages.



USA Specifications

