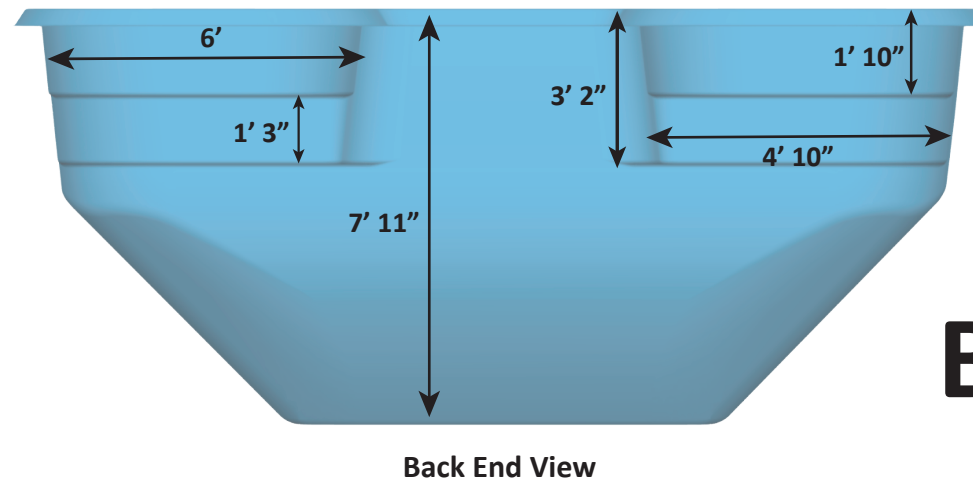
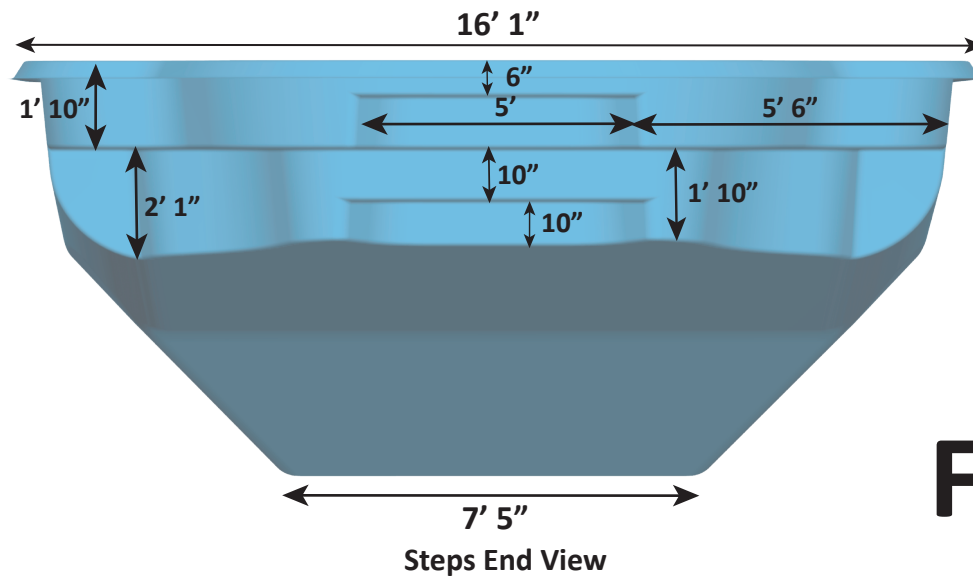


Surface Area: 595 Sq. ft.  
 Perimeter: 108.59 Lin. ft.  
 Volume: 21,000 Gal.  
 Per sect. 8.1, surfaces that provide footing have slip resistant surfaces.  
 All measurements are averages.

**DALLAS DETAIL SHEET - 04-17-24 - REVISION 01**



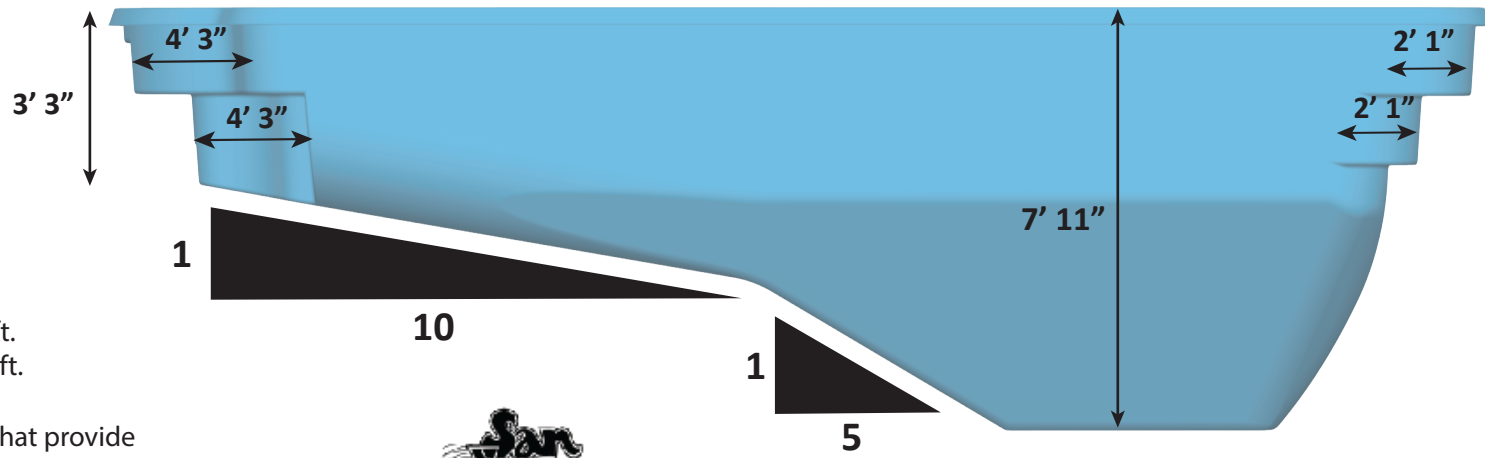
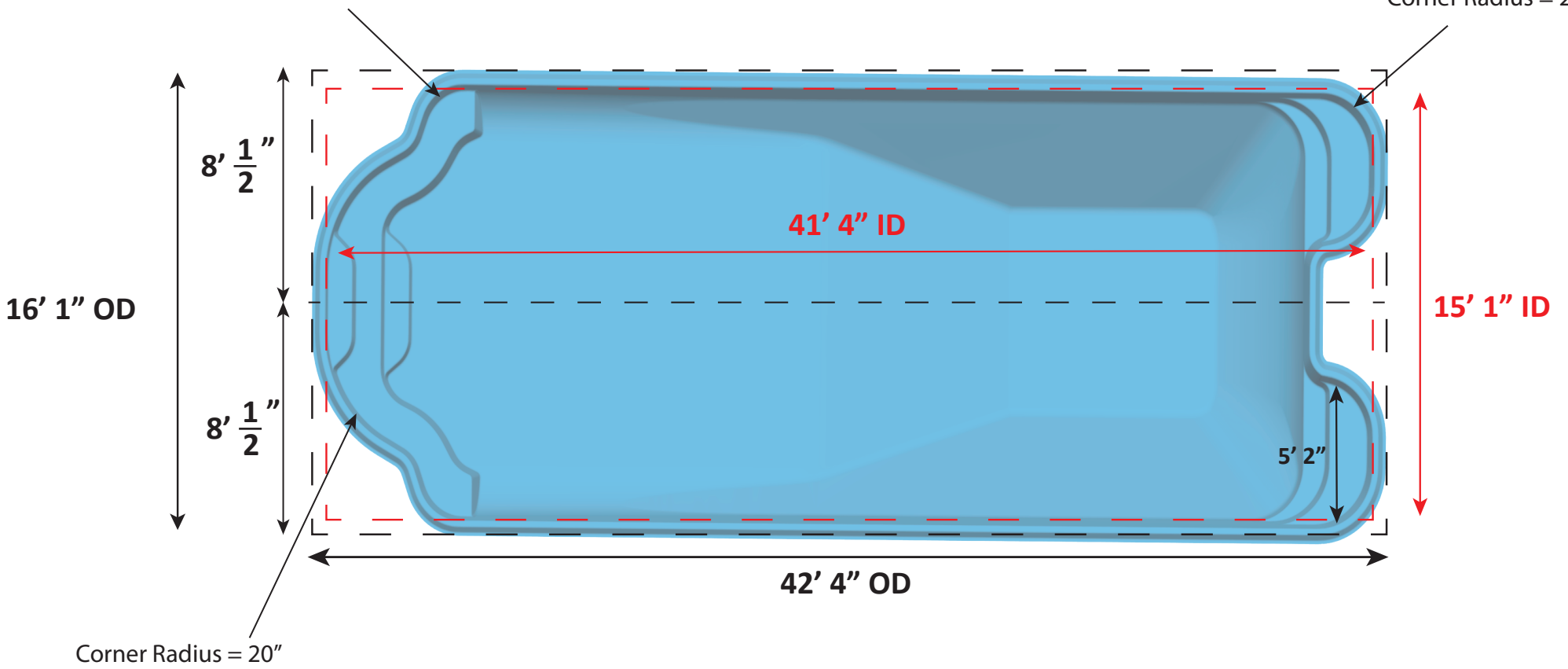
USA Specifications



# DALLAS DETAIL SHEET - 04-17-2024 - REVISION 01

Corner Radius = 20"

Corner Radius = 26"



Surface Area: 595 Sq. ft.  
 Perimeter: 108.59 Lin. ft.  
 Volume: 21,000 Gal.

Per sect. 8.1, surfaces that provide footing have slip resistant surfaces.  
 All measurements are averages.



USA Specifications

