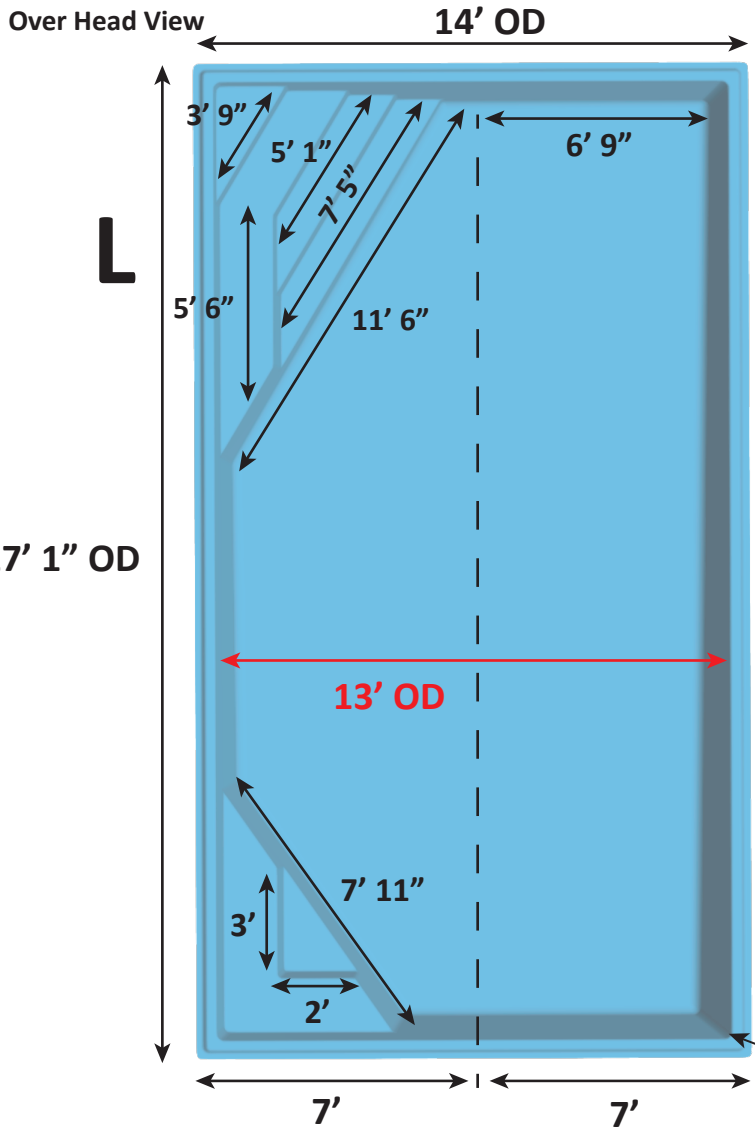


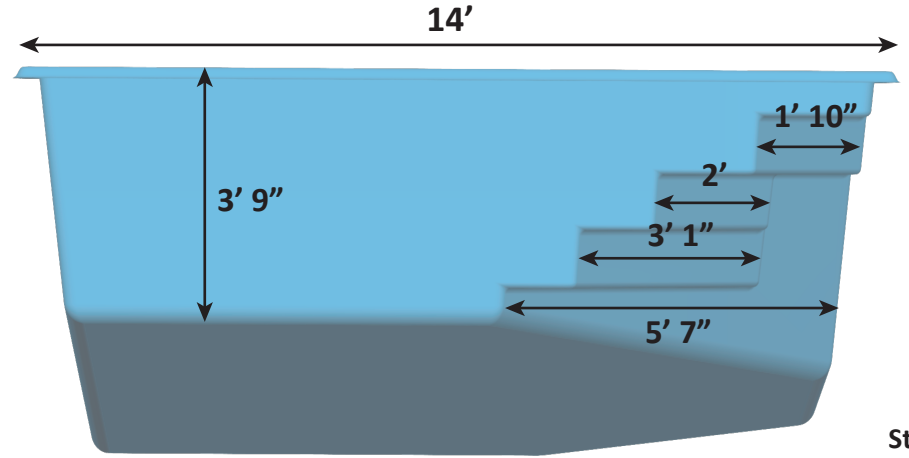
STOCKHOLM DETAIL SHEET - 08-28-24 - REVISION 01



R

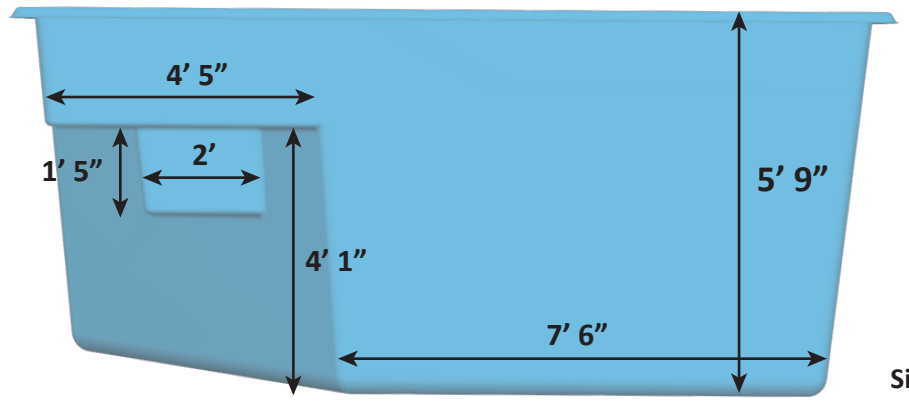
26' 1" OD

Corner Radius = 2.3"



F

Step End View



B

Sit End View



L

Side View

Surface Area: 345 Sq. ft.
 Perimeter: 83 Lin. ft.
 Volume: 10,784 Gal.
 Per sect. 8.1, surfaces that provide footing have slip resistant surfaces.
 All measurements are averages.



USA Specifications

