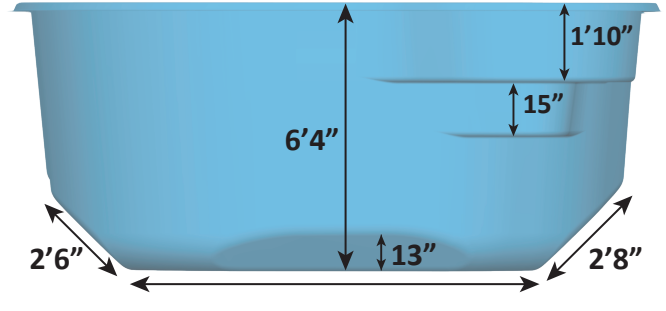
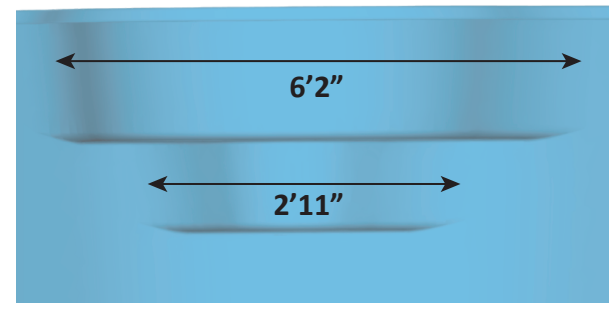
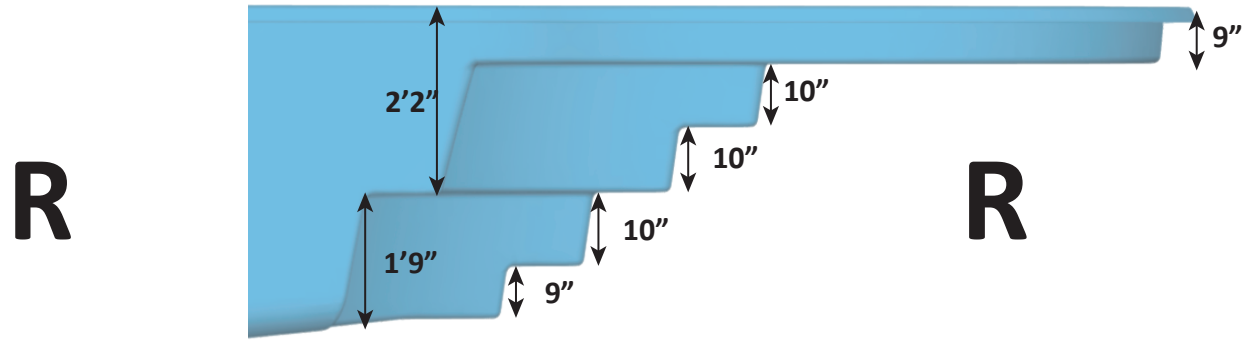
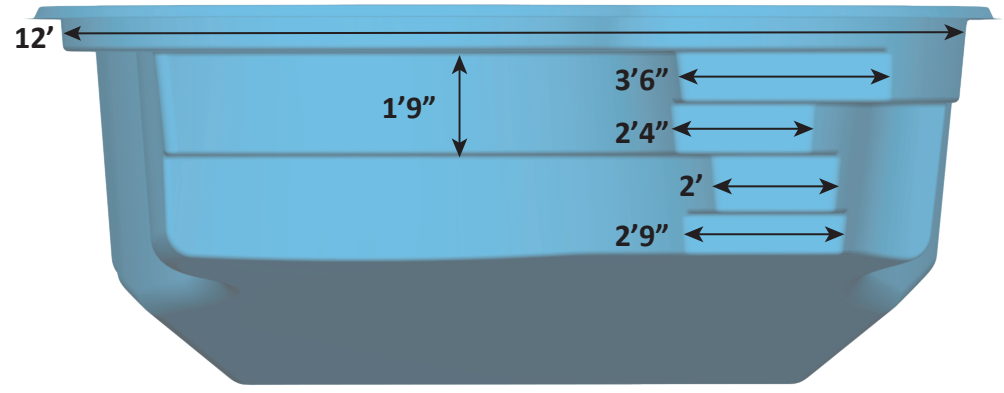
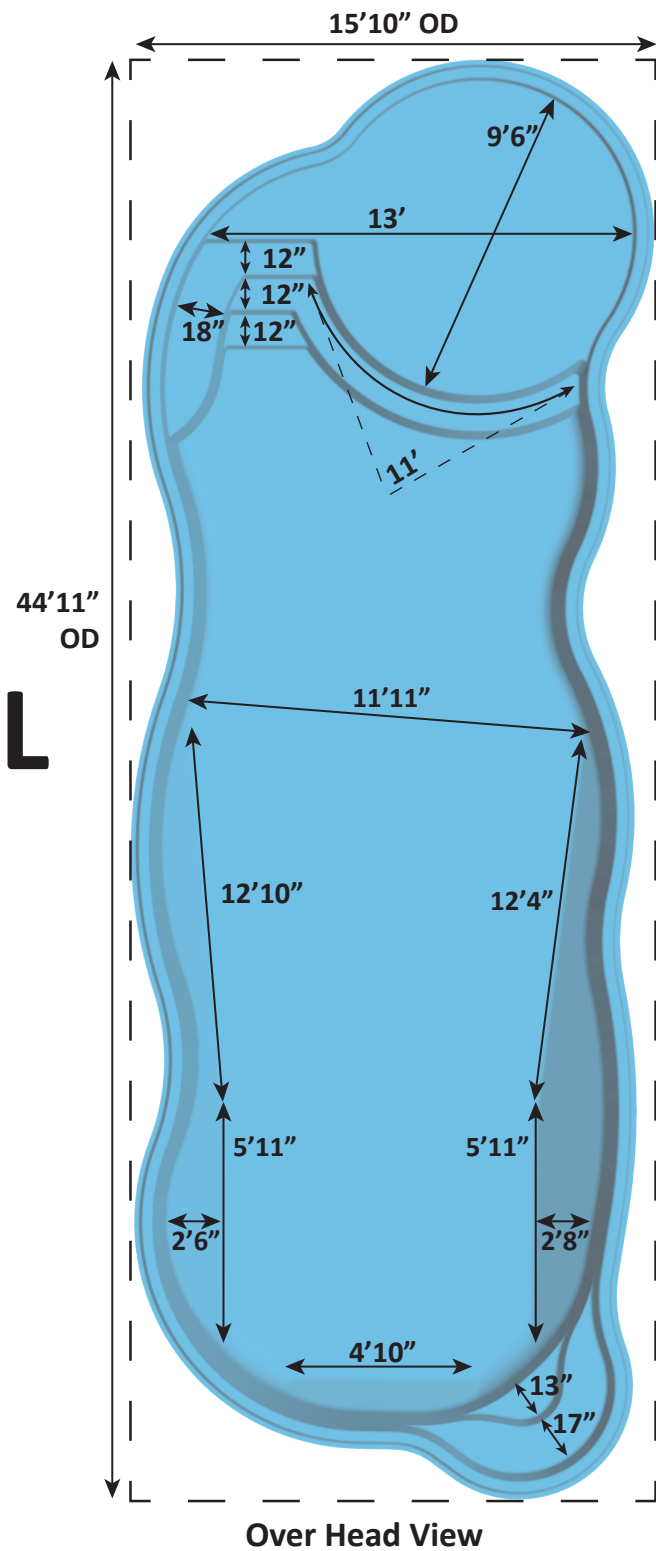


# SOUTH BEACH DETAIL SHEET - 10-26-21 - REVISION 02

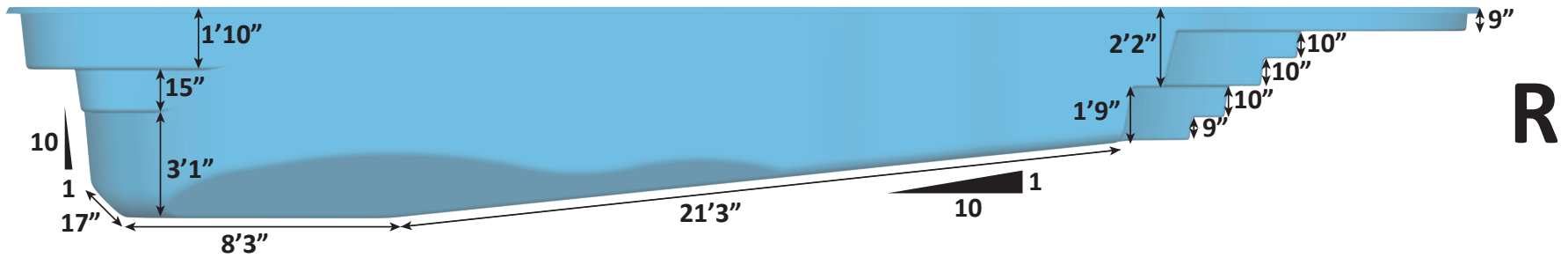
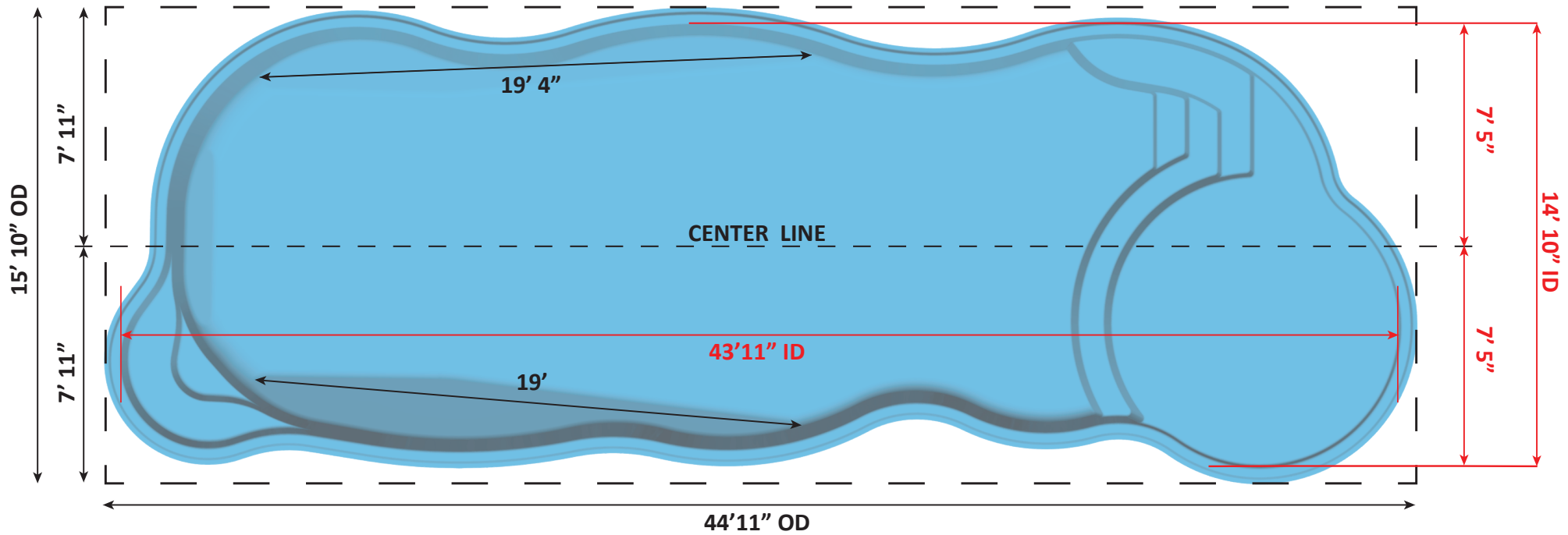


USA Specifications

Surface Area: 563 Sq. ft.  
 Perimeter: 107 Lin. ft.  
 Volume: 17,741 Gal.  
 Per sect. 8.1, surfaces that provide footing have slip resistant surfaces.  
 All measurements are averages.



# SOUTH BEACH DETAIL SHEET - 10-26-21 - REVISION 02



R



L

## USA Specifications

Surface Area: 563 Sq. ft.  
 Perimeter: 107 Lin. ft.  
 Volume: 17,741 Gal.  
 Per sect. 8.1, surfaces that provide footing have slip resistant surfaces.  
 All measurements are averages.

