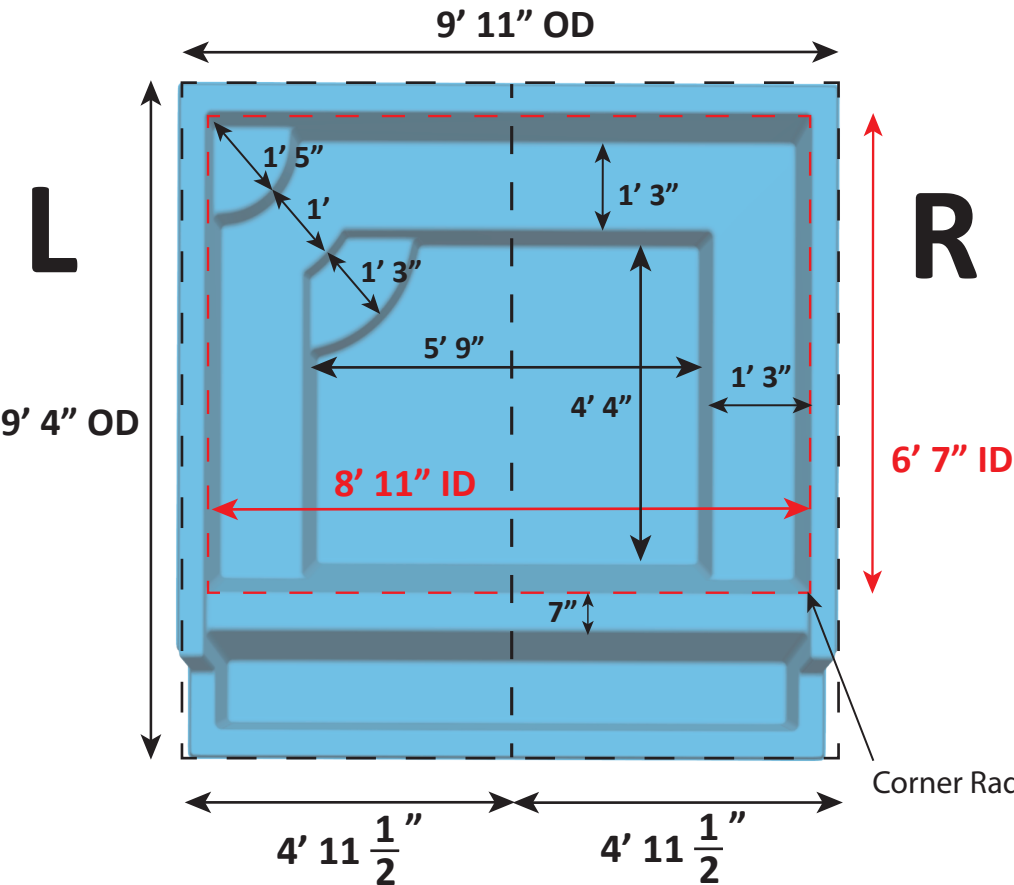
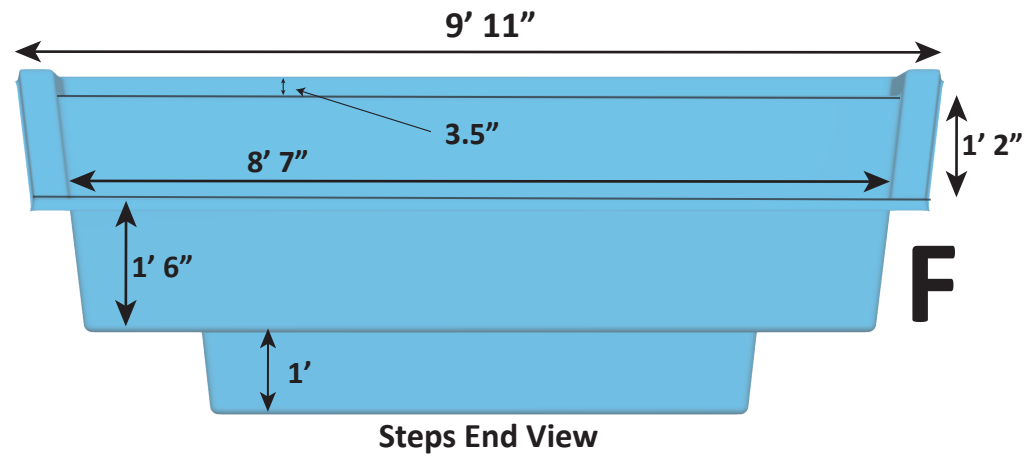


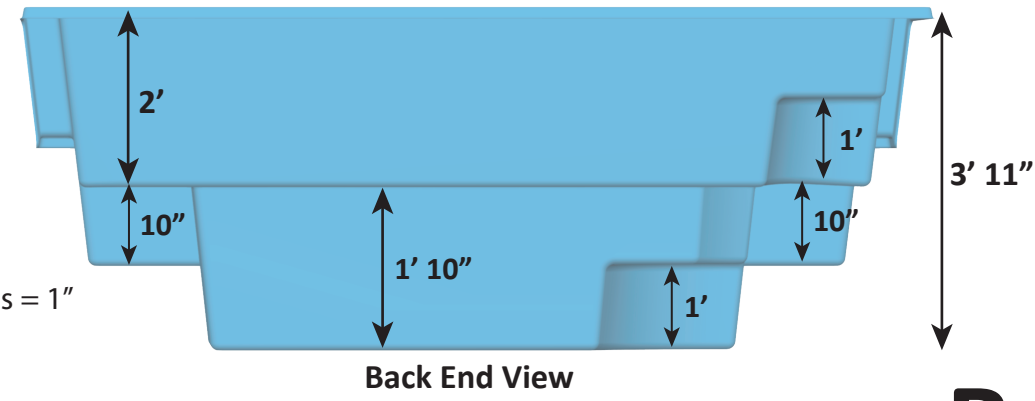
MARGARITA SPA DETAIL SHEET - 08-05-24 - REVISION 01



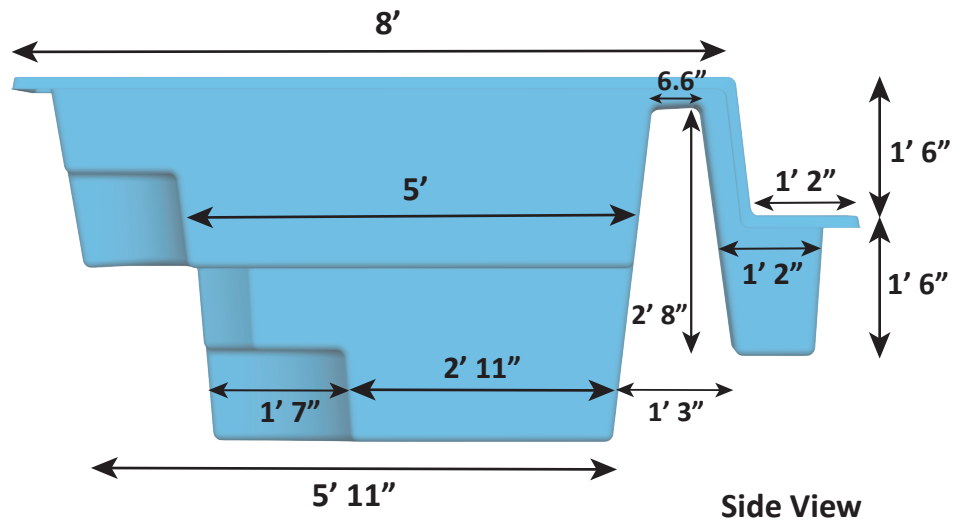
R



F



B



Surface Area: 60 Sq. ft.
 Perimeter: 31.38 Lin. ft.
 Volume: 1,316 Gal. (Catch Basin: 100 Gal.)
 Per sect. 8.1, surfaces that provide footing
 have slip resistant surfaces.
 All measurements are averages.

USA Specifications

