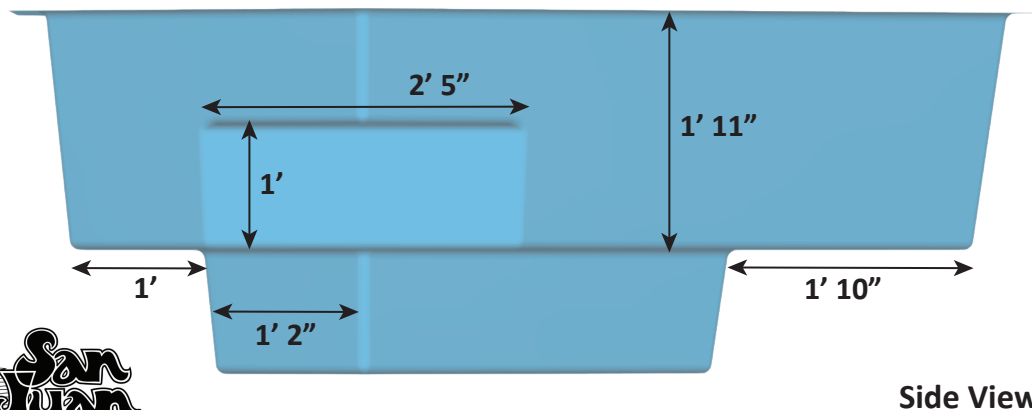
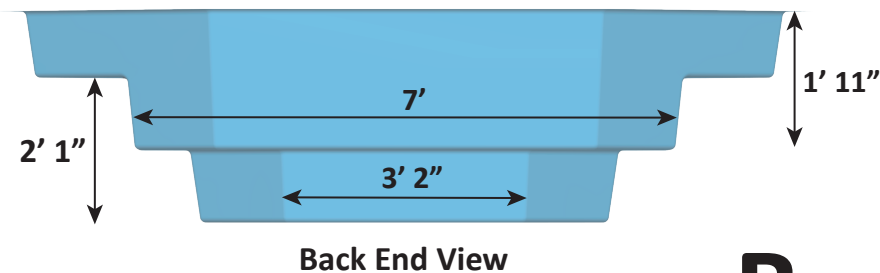
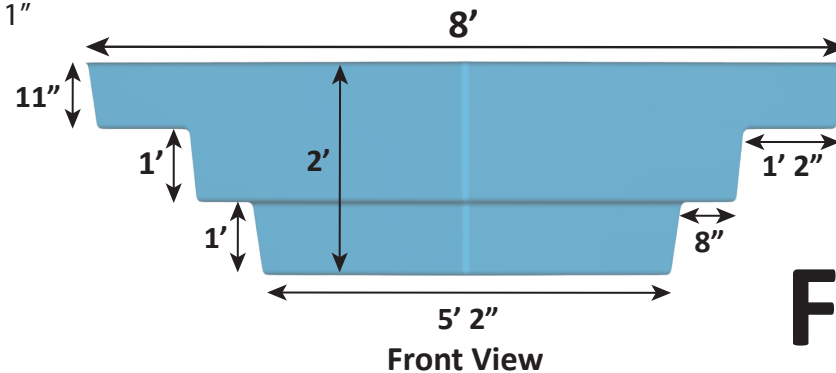
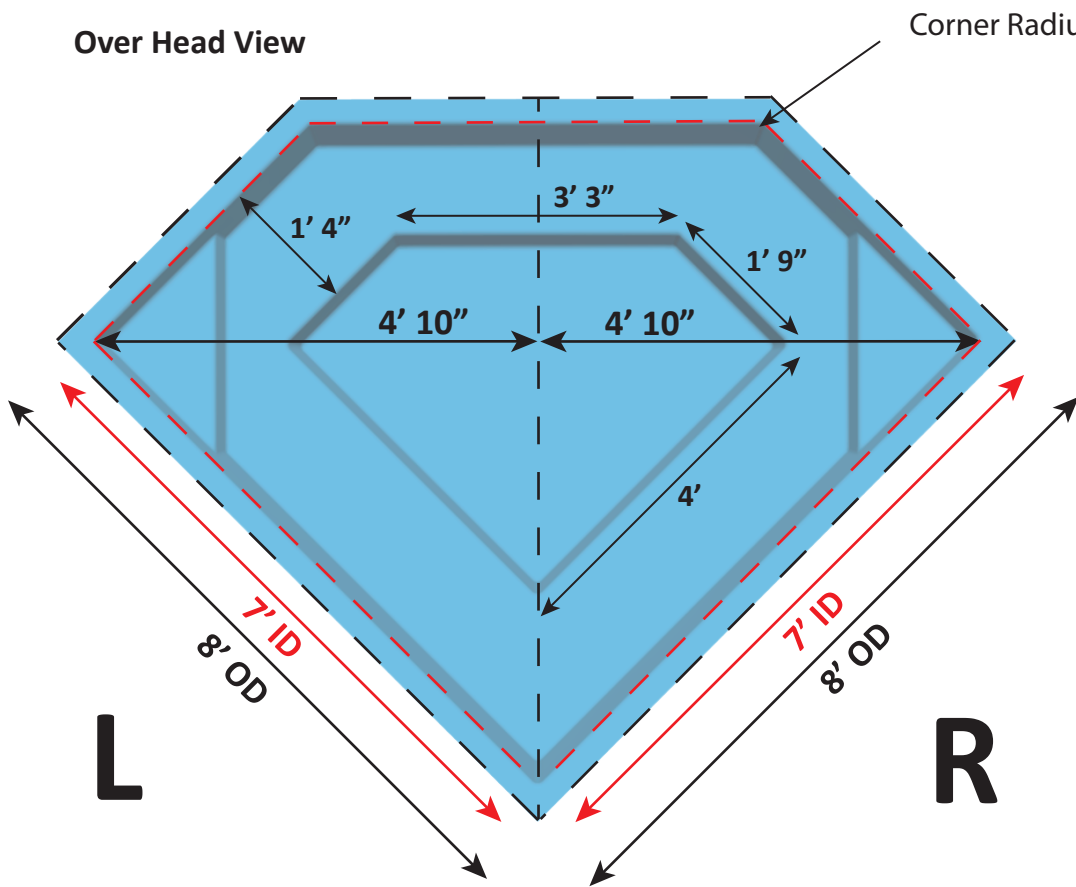


# DIAMOND SPA DETAIL SHEET - 11-26-24 - REVISION 01

Over Head View



Surface Area: 44 Sq. ft.  
 Perimeter: 26.06 Lin. ft.  
 Volume: 630 Gal.  
 Per sect. 8.1, surfaces that provide  
 footing have slip resistant surfaces.  
 All measurements are averages.

