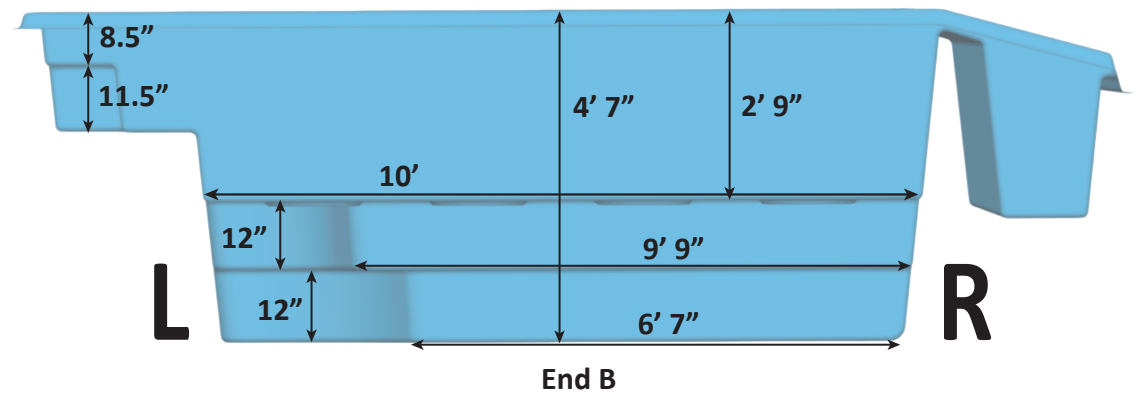
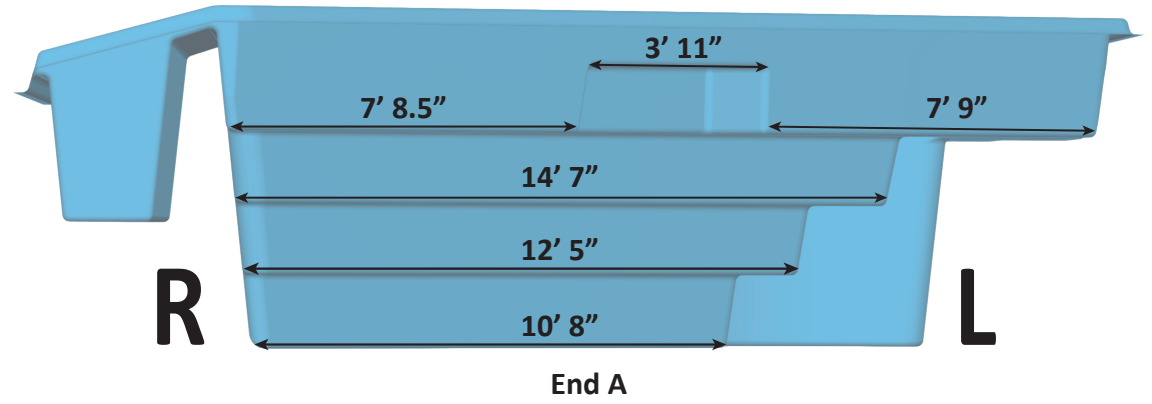
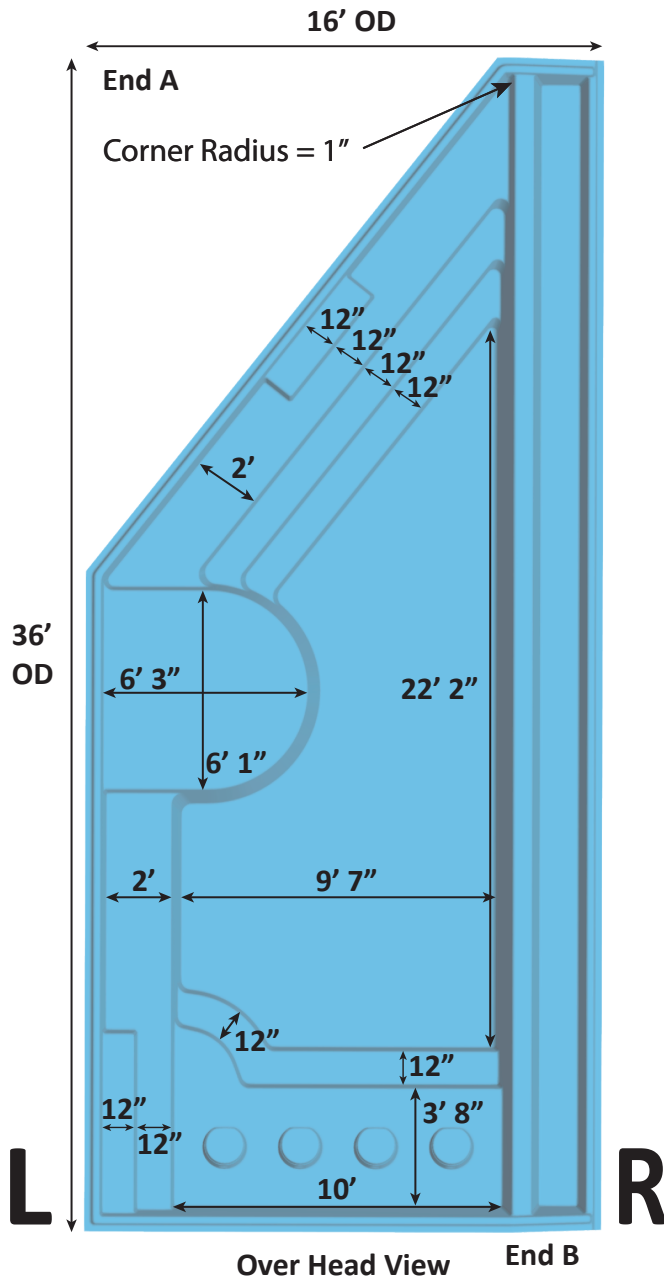


iPOOL DETAIL SHEET - 03-10-22 - REVISION 01



Pool Surface Area: 348 Sq. ft.
 Pool Perimeter: 87 Lin. ft.
 Catch Basin Surface Area: 60 Sq. ft.
 Catch Basin Perimeter: 73 Sq. ft.
 Per sect. 8.1, surfaces that provide footing have slip resistant surfaces.
 All measurments are averages.

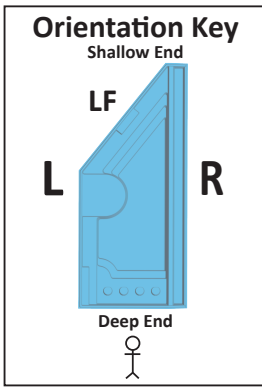
Pool Volume: 8,040 Gal.
 Catch Basin Volume: 765 Gal.
 Total Volume: 8,805 Gal.



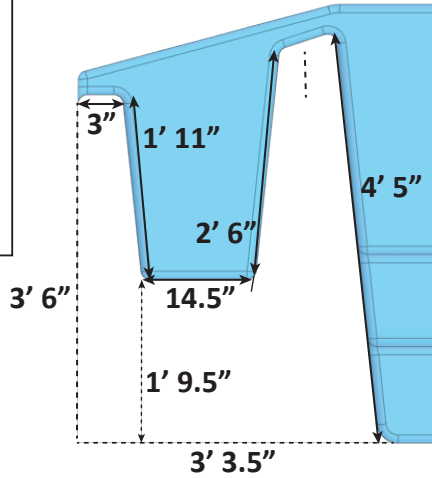
USA Specifications



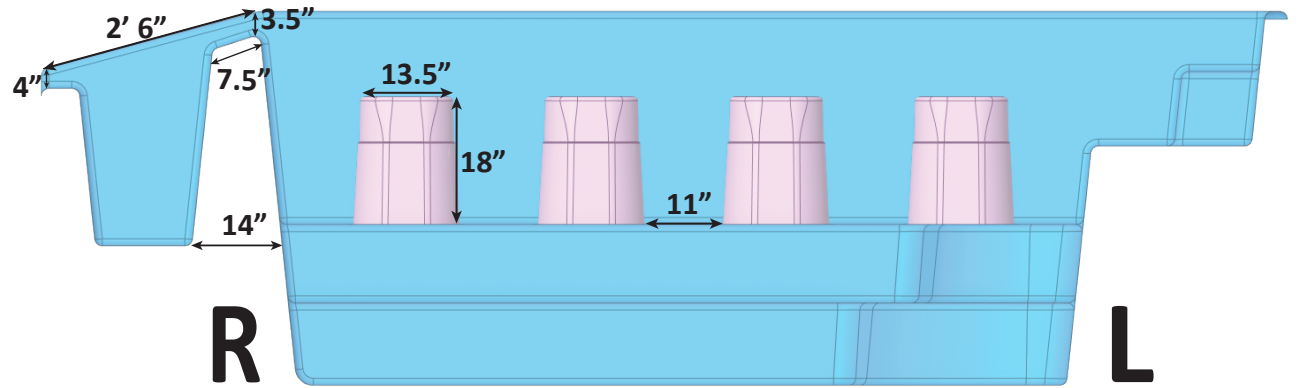
iPOOL DETAIL SHEET - 03-10-22 - REVISION 01



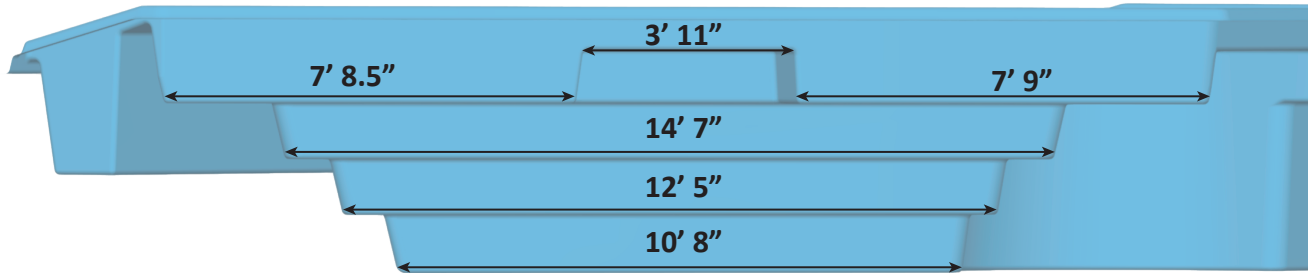
Vanishing Edge Spill Over Catch Basin
Cross Section



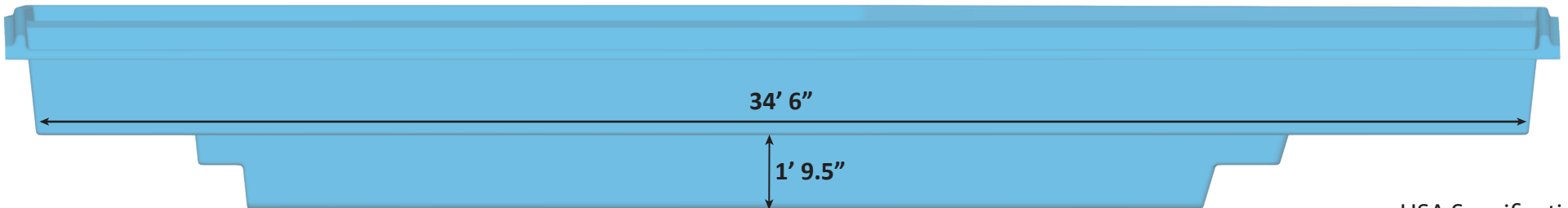
Seat View



Primary Step Section View LF



Catch Basin Side



Pool Surface Area: 348 Sq. ft.
 Pool Perimeter: 87 Lin. ft.
 Catch Basin Surface Area: 60 Sq. ft.
 Catch Basin Perimeter: 73 Sq. ft.
 Per sect. 8.1, surfaces that provide
 footing have slip resistant surfaces.
 All measurements are averages.

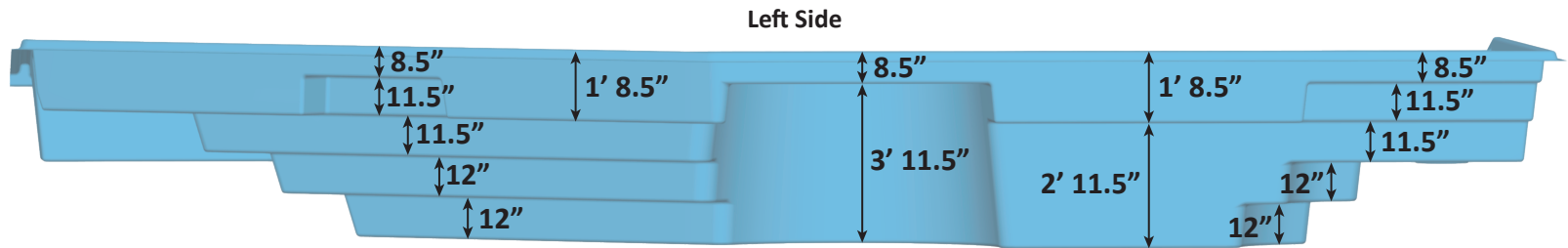
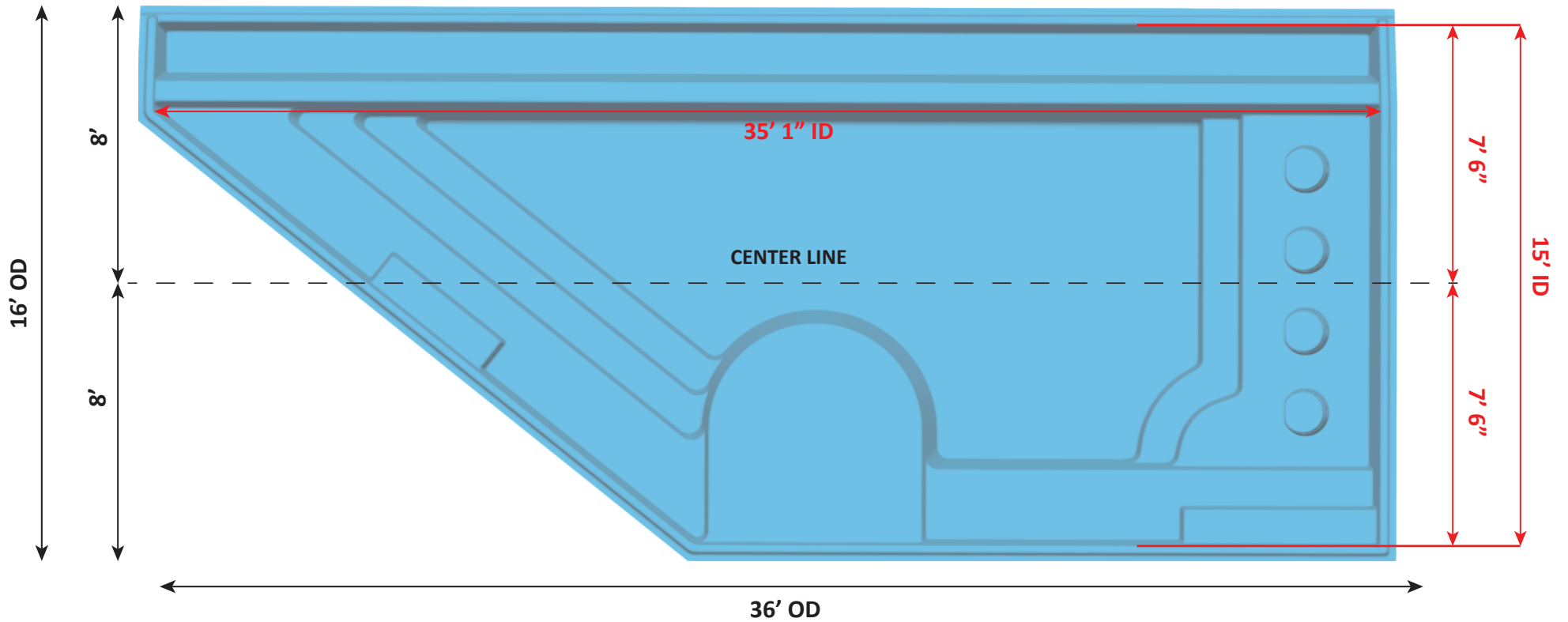
Pool Volume: 8,040 Gal.
 Catch Basin Volume: 765 Gal.
 Total Volume: 8,805 Gal.



USA Specifications



iPOOL DETAIL SHEET - 03-10-22 - REVISION 01



Pool Surface Area: 348 Sq. ft.
 Pool Perimeter: 87 Lin. ft.
 Catch Basin Surface Area: 60 Sq. ft.
 Catch Basin Perimeter: 73 Sq. ft.
 Per sect. 8.1, surfaces that provide
 footing have slip resistant surfaces.
 All measurments are averages.

Pool Volume: 8,040 Gal.
 Catch Basin Volume: 765 Gal.
 Total Volume: 8,805 Gal.



USA Specifications

